

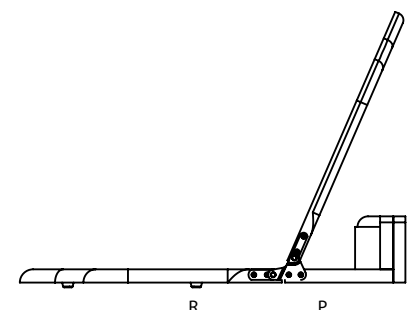
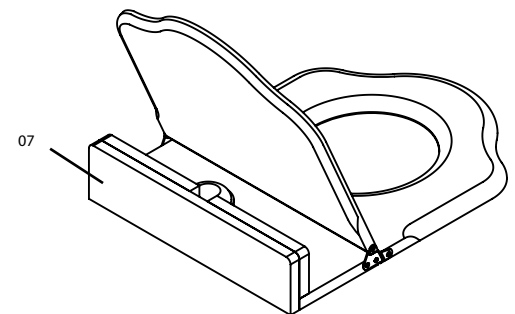
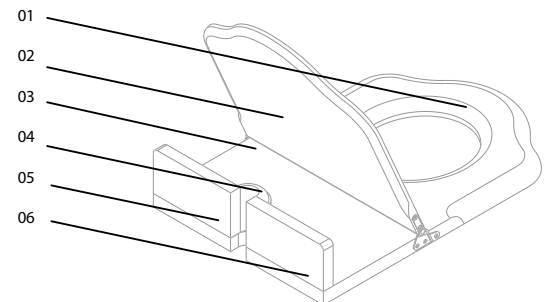


Fitting Instructions

Please Note: The throne seat determines the position of our pan in relation to the wall. We provide 3 rubber buffers with each seat. We recommend fitting 3 to the underside of the seat as seen on the drawings. To avoid scratching when the seat and lid are lifted together 2 further rubbers can be fitted to the underside of the lid. Please be aware that the rubber buffer will mark the seat if you choose this option.

1. Please assemble the walnut throne seat as per drawing A (01-06). Please ensure you use the pilot holes pre-drilled into the wood and do not overtighten as this may crack the wood. Slotted stainless steel screws are provided for the hinges and rubber buffers and cross head screws for the other parts where the screw heads are not seen.
2. Place the throne seat on the pan and with the back plate (07) held in position push the seat and pan against the wall ensuring that the seat is correctly aligned on the pan.
3. From underneath the pan, make 2 marks on the underside of the backpiece (03) through the lug holes.
4. Attach the two fixing bolts at these points (P) using 2 cross-head screws set diagonally opposite each other.
5. Place seat in position and fasten wing nuts (B) into pan.
6. Check the seat relative to the pan.
7. Using a soft (HB) pencil mark the position of the rubber buffers (R) on the underside of the seat.
8. Remove the seat from the pan. Pre-drill 3 small holes being careful not to drill through the underside of the seat.
9. Attach the buffers using the slotted screws. N.B Do not over-tighten the screws as they will cut into the rubber.
10. Re-attach the seat to the pan. Drummonds High Level suite will come with brackets to support the back of the Throne seat against the wall. With the seat fixed to the pan the brackets can now be positioned and drilled into the wall.
11. The flush pipe and other parts of the WC suite can now be installed following the relevant instructions.
12. Place the wooden back (07) onto the brackets and behind the flush pipe.

Drawing A



Care and Maintenance

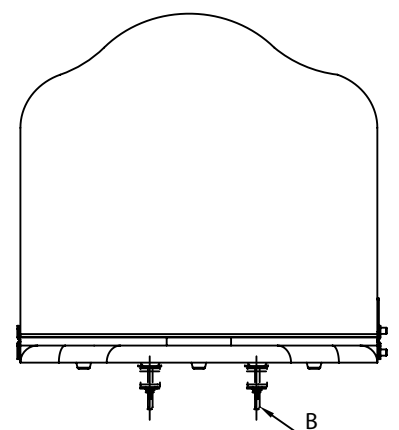
We recommend that our seats are kept clean by wiping with a warm damp cloth or sponge (a mild diluted detergent can be used if required). For best results, it should then be dried with a paper towel or duster. Furniture spray polish or beeswax can also be used.

Never use any bathroom or toilet cleaning products as they may damage the lacquer.

If your seat requires refurbishment, the surface may be polished with a light furniture oil. Any excess should be polished away with a dry cloth. Replacement rubber buffers are available from most good hardware stores. Alternatively, we would be pleased to supply a set for a small charge.

N.B Do not sit or stand on the lid when the seat is closed.

Always lift the lid and seat separately to avoid scratching the lacquer.



All our goods are handmade and may vary slightly from the drawings. If you are unsure of how to assemble the goods please call us and we will try to help over the phone. We would also ask that you try and recycle all packing and leave the item well protected for the customer. Thank you.