

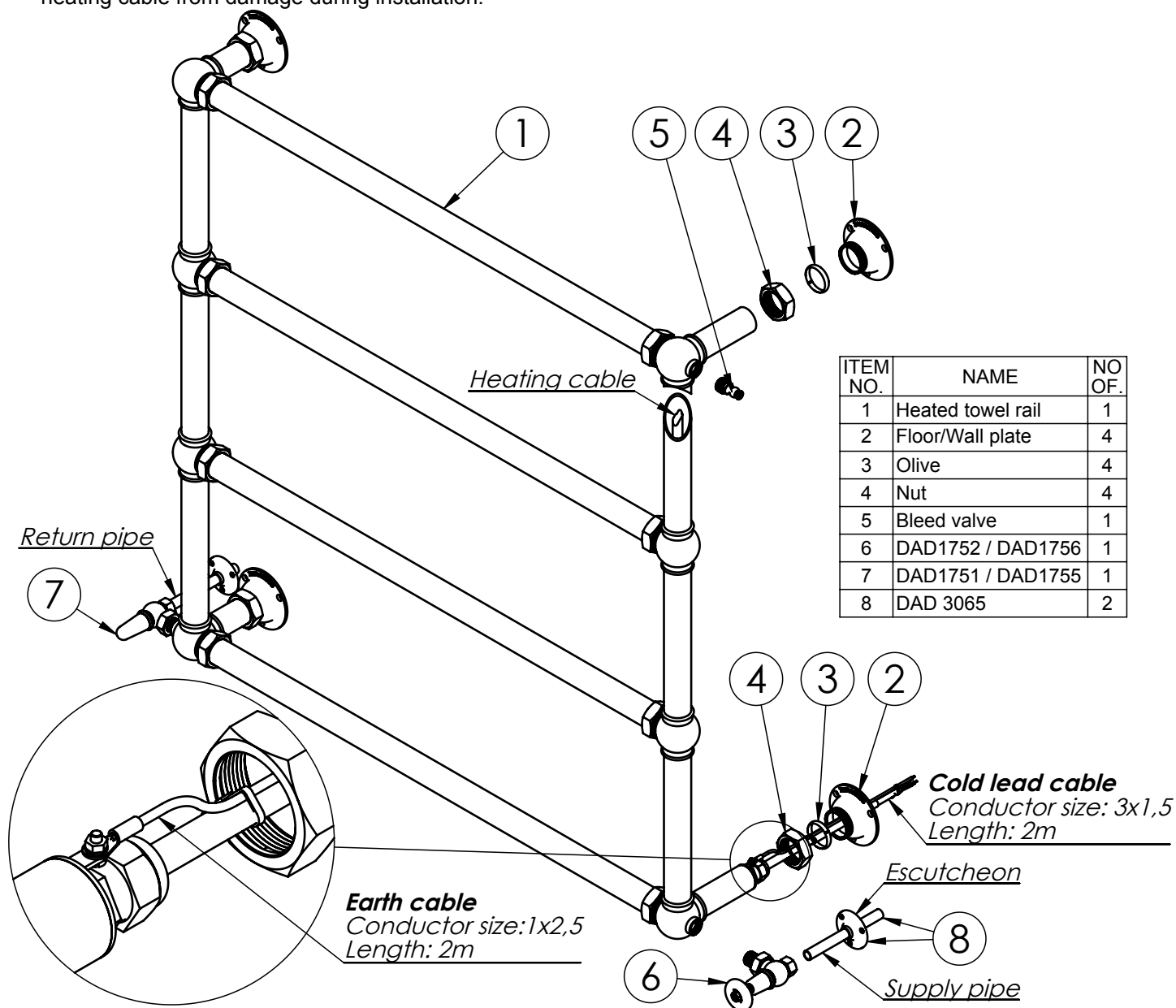
**Important**

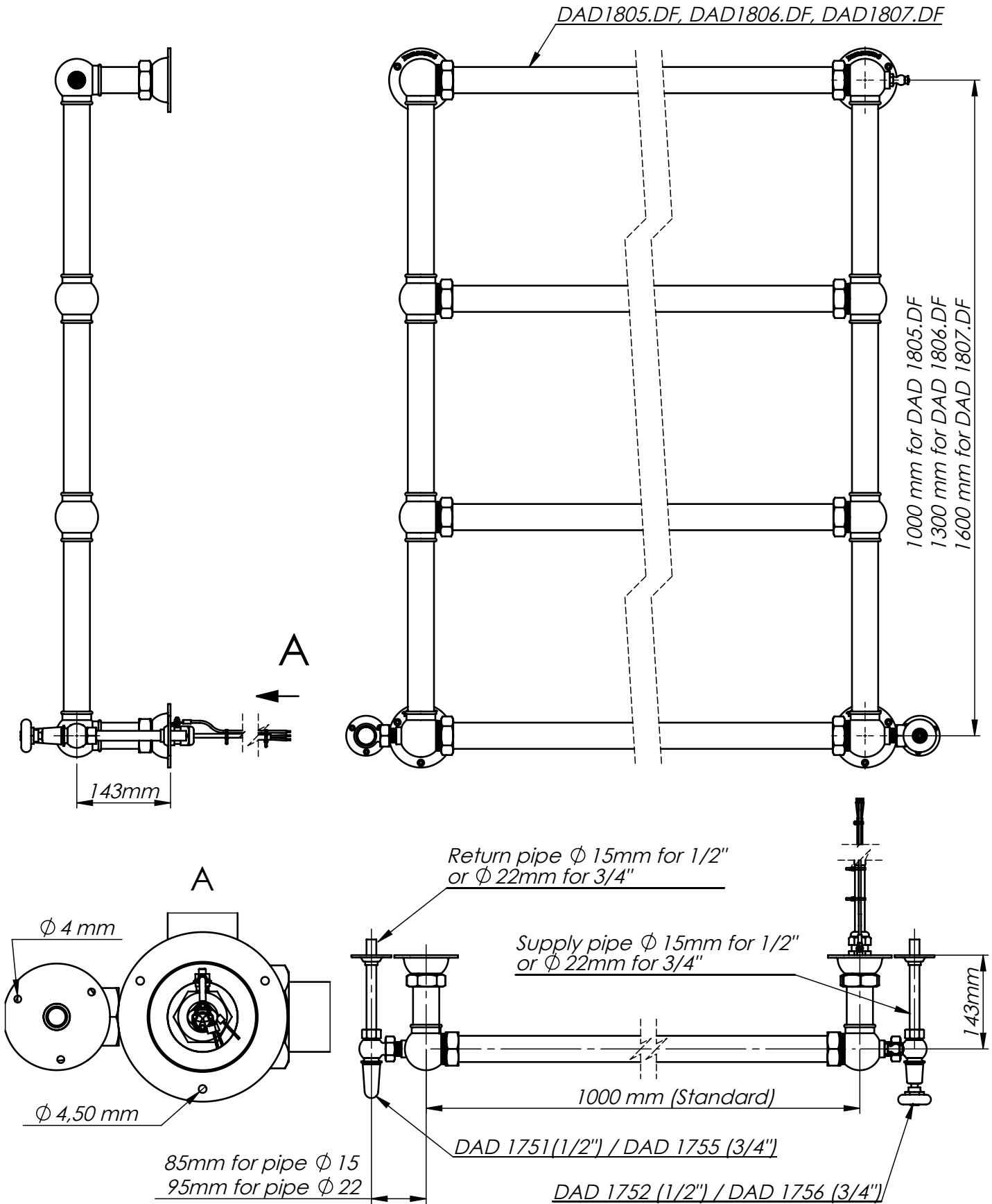
- Please inspect this product immediately on delivery to ensure that it has not been damaged in transit and is complete. Any claim for damage or shortage will not be entertained unless received within 3 days.
- To ensure this product is installed properly, you must read and follow these guidelines.
- Please read the whole of these instructions before starting installation.
- Be sure your installation conforms to local regulations.
- We recommend that this product is installed by a qualified professional contractor.
- Please refer to the specification and assembly drawings attached.
- Before installation, please inspect this product to ensure that it is the correct model and you have all the parts required for proper installation.
- Take all the necessary precautions to ensure that all parts are properly protected during installation. Polished and plated surfaces are particularly prone to damage from dirty and incorrect tools; spanners should be suitably lined so as not to damage plated or polished nuts.

Flush the existing system with water to ensure that there is no debris in the existing pipework before commencing installation.

When drilling holes in walls or floors be aware of any existing pipes or cables.

Note: This towel rail is fitted with an electric element (dual fuel) and must be fitted by a qualified electrician. It should be fitted to a 2 or 3 amp fused spur fitted with a 30 milliamp RCD and be correctly earthed. All connections should be external to the bathroom. Keep the heating cables ends dry before and during installation. Protect the heating cable from damage during installation.





All our goods are handmade and may vary slightly from drawings. If you are unsure of how to assemble the goods, please call us and we will try help over the phone. We would also ask that you try and recycle all packing where possible and leave the item well protected for the customer. Thank you.

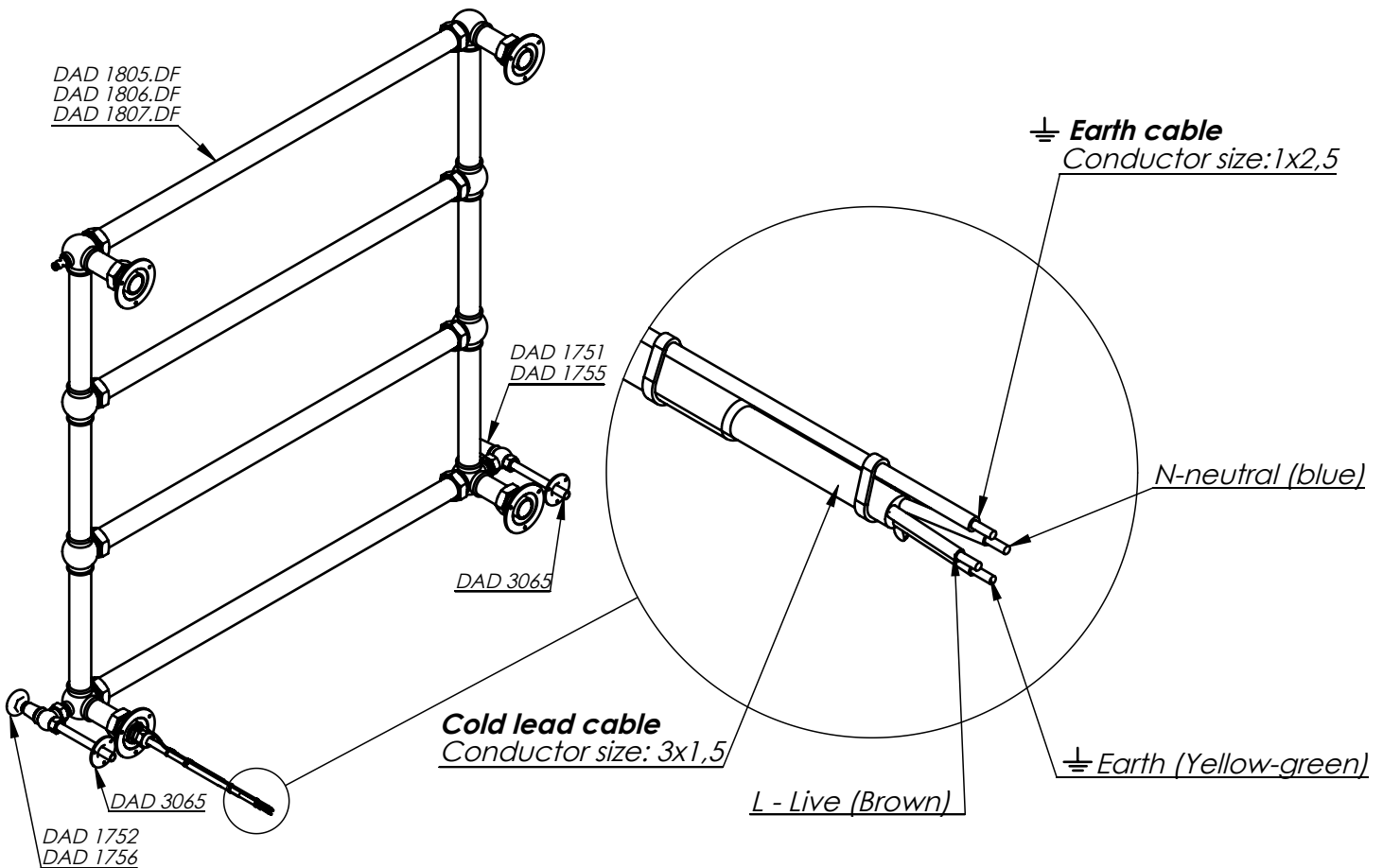


1. Determine the position of the towel rail, pipe runs and heating cable.
2. Make provision for the cable and the electrical connections to be made taking note of the electrical requirements above.
3. Carefully remove towel rail from the box and fix in position on the wall (ensure that the towel rail is level) using the screws provided and using plugs if necessary, do not drill through the wall plates as this could damage the plating. Note: the wall plates (2) are adjustable by slackening compression nut (4), sliding the leg in or out of the wall plates (2) and retightening the compression nut (4). Ensure that the towel rail does not twist whilst being fixed to the wall and that the towel rail is vertical and level, the bleed valve (5) should be at the top.
4. Make the electrical connections referring to the notes above.
5. Remove the valve tails from the valves and insert into the towel rail using a suitable sealant. Do not overtighten.
6. Loosely fit the valves to the tails and mark the position of the flow (supply) and return pipes on the wall. Remove the valves. Drill the wall and bring the pipes through the wall using suitable plated pipe and cut to length.
7. Slide the escutcheons provided over the supply and return pipes but do not fix them.
8. Remove the compression nut and olive from the supply valve and slide onto the supply pipe. Slide the valve onto the supply pipe and loosely tighten the compression nut. Fit the valve onto the tail ensuring that the fibre washer is correctly located and tighten. Tighten the compression nut so that it compresses the olive. Screw the escutcheon (8) to the wall with the screws provided, using plugs if necessary but do not drill through the escutcheon as this could damage the plating.
9. Repeat with the return side.
10. Fill the system, removing the air by means of the bleed valve (5).
11. Check for leaks.

Note: All screws provided are solid brass and will need to be predrilled.

Care of Towel Rails: All our towel rails are made of solid brass and are virtually maintenance free. However they should be cleaned using soapy water and dried with a soft cloth. Under no circumstances should any form of abrasive cleaner be used. Brass finish rails may have the shine restored using a proprietary polish such as Brasso. Plated rails may have the shine restored using a proprietary polish such as Silvo.

Notes: Drummond's products are handmade therefore dimensions may vary slightly. Please try to recycle all packaging where possible and leave the item well protected for the customer - thank you. The manufacturer's warranty does not cover any products which have been damaged as a result of misuse, faulty installation or maintenance.



All our goods are handmade and may vary slightly from drawings. If you are unsure of how to assemble the goods, please call us and we will try help over the phone. We would also ask that you try and recycle all packing where possible and leave the item well protected for the customer. Thank you.