

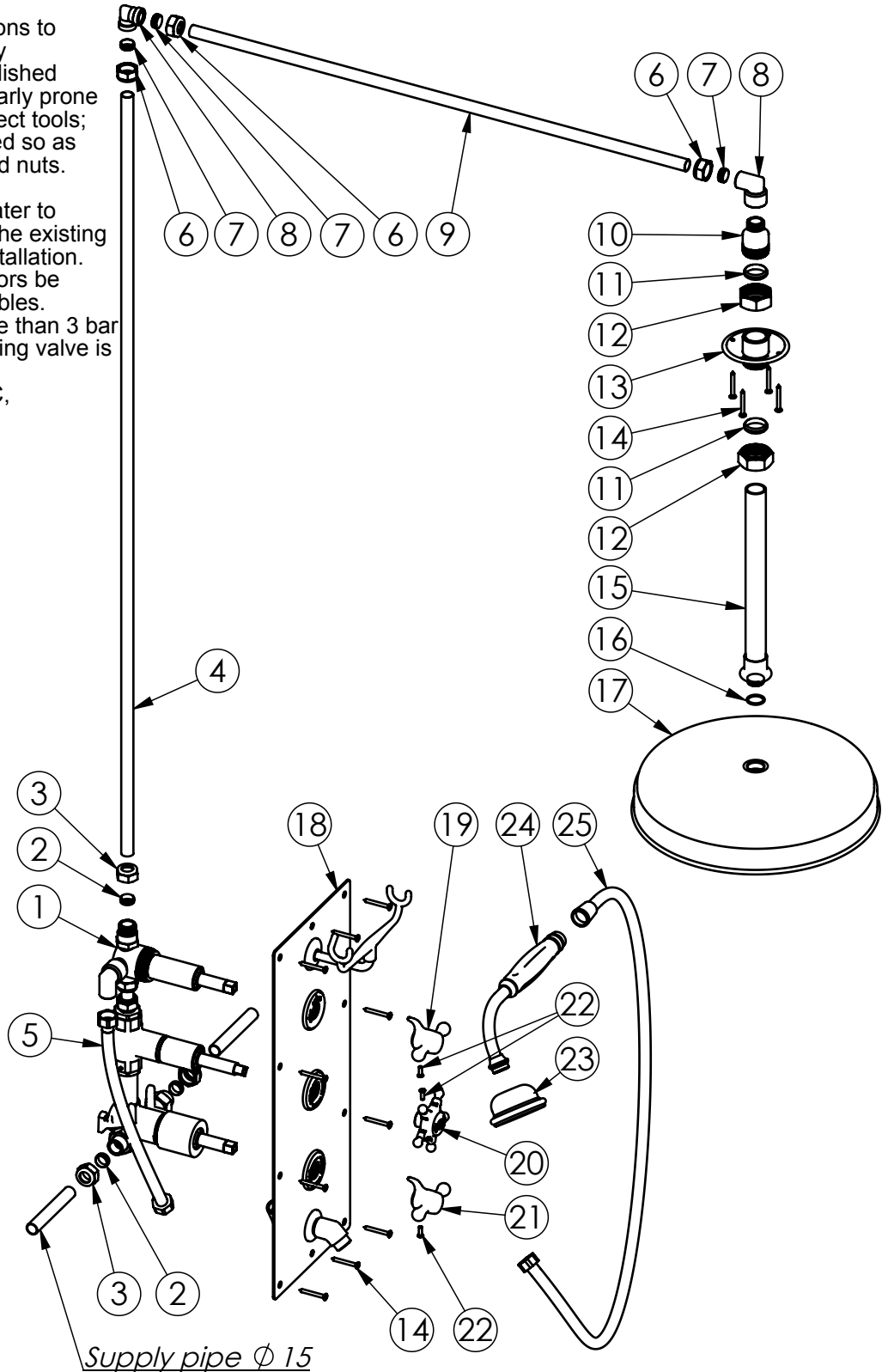


Important

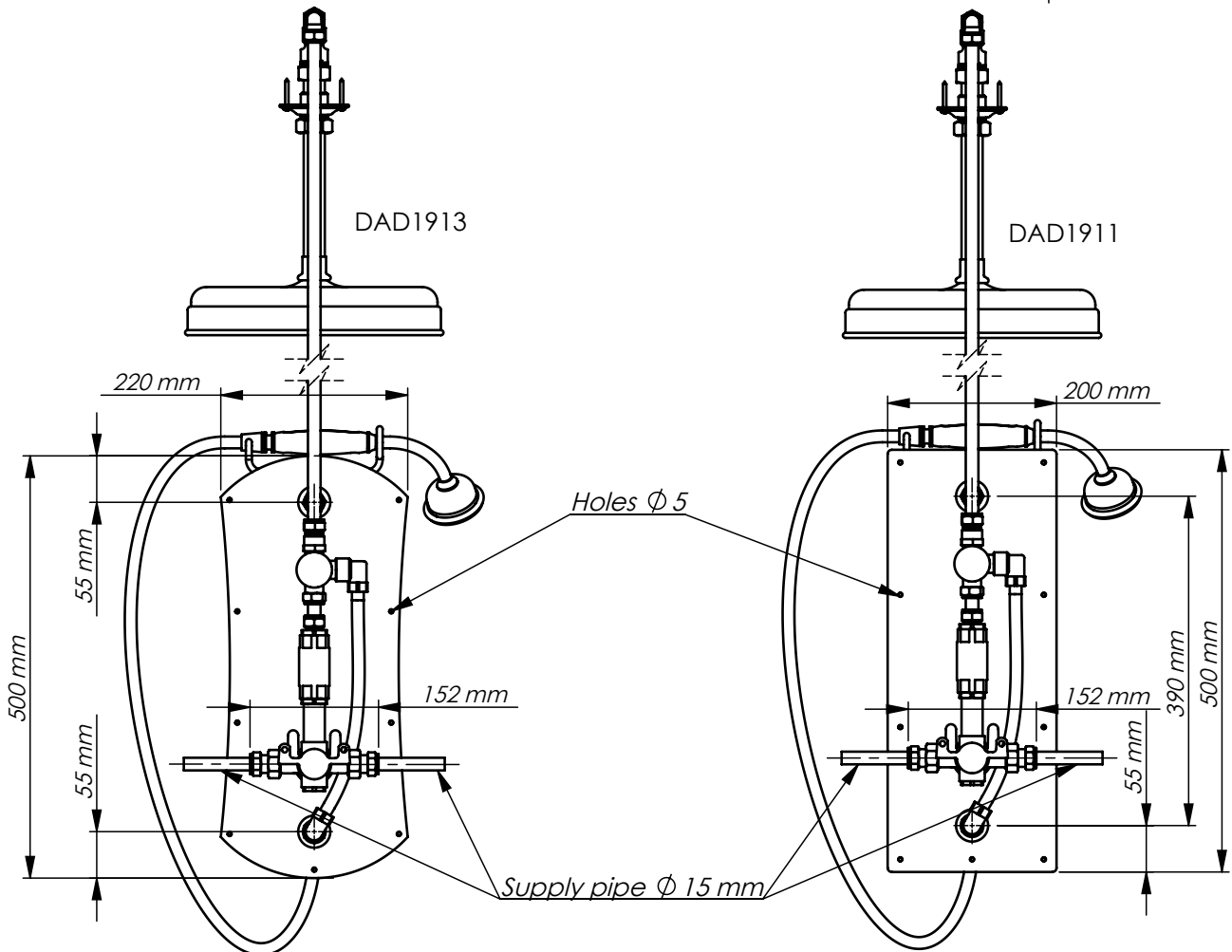
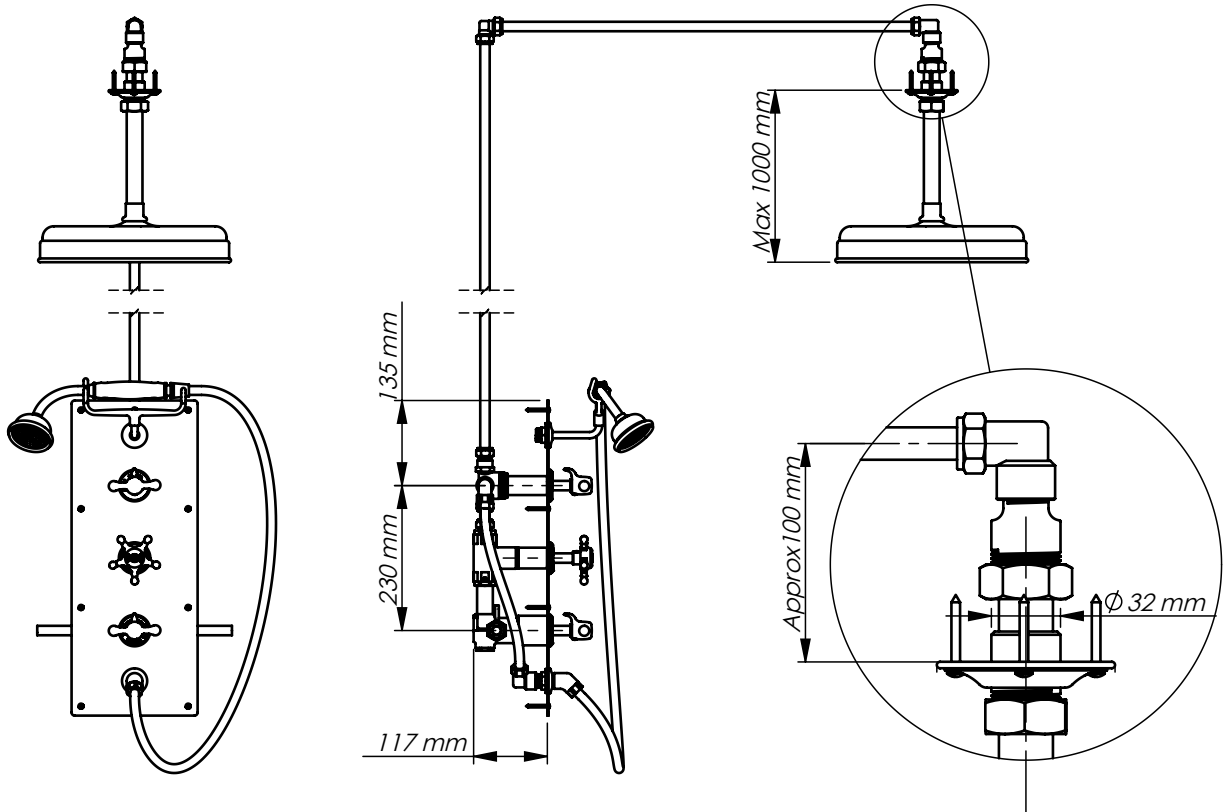
- Please inspect this product immediately on delivery to ensure that it has not been damaged in transit and is complete. Any claim for damage or shortage will not be entertained unless received within 3 days.
- To ensure this product is installed properly, you must read and follow these guidelines.
- Please read the whole of these instructions before starting installation.
- Be sure your installation conforms to local regulations.
- We recommend that this product is installed by a qualified professional contractor.
- Please refer to the specification and assembly drawings attached.
- Before installation, please inspect this product to ensure that it is the correct model and you have all the parts required for proper installation.
- Take all the necessary precautions to ensure that all parts are properly protected during installation. Polished and plated surfaces are particularly prone to damage from dirty and incorrect tools; spanners should be suitably lined so as not to damage plated or polished nuts.

Flush the existing system with water to ensure that there is no debris in the existing pipework before commencing installation. When drilling holes in walls or floors be aware of any existing pipes or cables. Where the water pressure is more than 3 bar we recommend a pressure reducing valve is fitted.
Maximum water temperature 80C, advisable 60C/65C

ITEM NO.	NAME	NO OF.
1	Control block	1
2	Olive \varnothing 15	3
3	1/2" Nut	3
4	Pipe \varnothing 15 (not supplied)	1
5	Flexible feeder hose TAQ-SUPER HG-1212-300	1
6	1/2" Nut (not supplied)	3
7	Olive \varnothing 15 (not supplied)	3
8	Elbow 1/2" (not supplied)	2
9	Pipe \varnothing 15 (not supplied)	1
10	Reducer 1/2" - M32x2	1
11	Olive \varnothing 25	2
12	Nut M32x2	2
13	Ceiling plate	1
14	Brass wood screws M8x1-1/2	14
15	Straight pipe	1
16	O-ring	1
17	Classic rose	1
18	Curved plate / Rectangular plate	1
19	Diverter tap head	1
20	ON/OFF tap head	1
21	Temperature control tap head	1
22	Grub screw M4	3
23	Shower rose	1
24	Handset	1
25	Shower hose	1



Supply pipe \varnothing 15



All our goods are handmade and may vary slightly from drawings. If you are unsure of how to assemble the goods, please call us and we will try help over the phone. We would also ask that you try and recycle all packing where possible and leave the item well protected for the customer. Thank you.



Note before starting installation determine the following (these instructions will assume a recessed box mounted control block with a 15mm rigid pipe supply);

The control block (1) can be either fitted into a recess in the wall or into a box recessed into the wall (box not supplied)

The 15mm supply pipes could be either rigid or flexible depending on the installation taking note of any local regulations as flexible feed hoses would be "live".

Take note of spacing if the wall is to be tiled.

Work out in advance position of supply pipes, position of shower head (will there be enough clearance whilst showering?) and bear in mind shower enclosures and shower bases etc.

Once the control block is installed a check for leaks would be advisable before the wall plate (18) is fitted.

1. Remove the grub screws (22) from the three control tap heads (19, 20 and 21) on the face of the wall plate then remove the three control tap heads (19, 20 and 21). Undo the flexible feed pipe (5) from the wall plate and control block, do not lose the fibre washers. Remove the wall plate (18) from control block (1).
2. Install control block (1) into the recess in the wall and fix in place with screws (not supplied) through the mounting lugs on the control block, note that once installed the wall plate should fit flush with the wall (or tiles if fitted).
3. Connect the 15mm supply pipes to the control block ensuring correct hot/cold orientation with nuts (3) and olives (2) ensuring that the olives correctly seated.
4. Determine the position of the outlet from the ceiling for the overhead shower and the pipe runs to the control block and drill a suitably sized hole in the ceiling to accommodate the feed pipe then cut the 15mm riser (4) (not supplied) to the correct length.
5. Attach elbow (8) with compression nut (6) and olive (7) onto the top end of the 15mm riser and tighten nut (6) ensuring that the olive is correctly seated.
6. Slide onto the opposite end of pipe (4) with compression nut (3) and olive (2) into the top opening of the control block and tighten nut (3) ensuring that the olive is correctly seated.
7. Attach elbow (8) with olive (7) and nut (6) to the end of the 15mm pipe (9) and tighten, screw reducer (10) into elbow (8) with a suitable wound sealing type material, then attach this assembly to the top end of the vertical pipe (4) with olive (7) and nut (6) making sure that the compression nuts are tight and the olives are seated correctly and that the shower end of the pipe (9) is correctly positioned.
8. Trim pipe (15) to the correct length then pass this through nut (12), olive (11), ceiling plate (13), nut (12) and olive (11) and push this assembly into reducer (10). Slide the ceiling plate (13) up to the ceiling and mark through for the fixing holes, remove this assembly and pilot drill or drill and plug as necessary. Reinstate this assembly and fix in place by firstly tightening the nut and olive onto the reducer ensuring that the pipe (15) is pushed fully home. Screw the ceiling plate (13) to the ceiling taking care of any plated screws and finally tighten the remaining nut and olive up to the ceiling plate (13). Fit the shower rose (17) with O ring (16) and ensure that the assembly is plumb and secure.
9. Offer the wall plate (18) up against the wall and mark though for the fixing holes, remove and drill and plug as necessary.
10. Attach flexible hose (5) with washer to the outlet on the control block and secure, attach the other end with washer to the connector on the wall plate (18) and secure. Position the wall plate over the control block and secure with the screws supplied (14) - taking care not to damage any plated screws - if necessary use sealant between the wall plate and wall but bear in mind that the wall plate may have to be removed at some point in the future.
11. Refit the three control tap heads (19, 20 and 21) and secure with grub screws (22).
12. Fit shower hose (25) to fitting on the wall plate (18) ensuring that the washer is in place. Connect the shower handle (24) to the shower hose (25) ensuring that the washer is in place. Connect the shower rose (23) to the shower handle (24) ensuring that the washer is in place.
13. Open all the valves and flush the system out as any debris in the pipework will damage the valves in the control block.
14. Check for leaks and remedy as necessary and check the operation of the installation.

Operation;

- The top valve is a diverter which diverts water either to the overhead shower or to the handset.
- The middle valve turns the water on or off.
- The lower valve sets the temperature.

Notes: Drummond's products are handmade therefore dimensions may vary slightly.

Please try to recycle all packaging where possible and leave the item well protected for the customer - thank you. The manufacturer's warranty does not cover any products which have been damaged as a result of misuse, faulty installation or maintenance.

Cleaning

Brass - use a mild non-abrasive cleaner such as brasso.

Chrome and nickel plated products - use a mild non-abrasive cleaner such as silvo.

All our goods are handmade and may vary slightly from drawings. If you are unsure of how to assemble the goods, please call us and we will try help over the phone. We would also ask that you try and recycle all packing where possible and leave the item well protected for the customer. Thank you.