

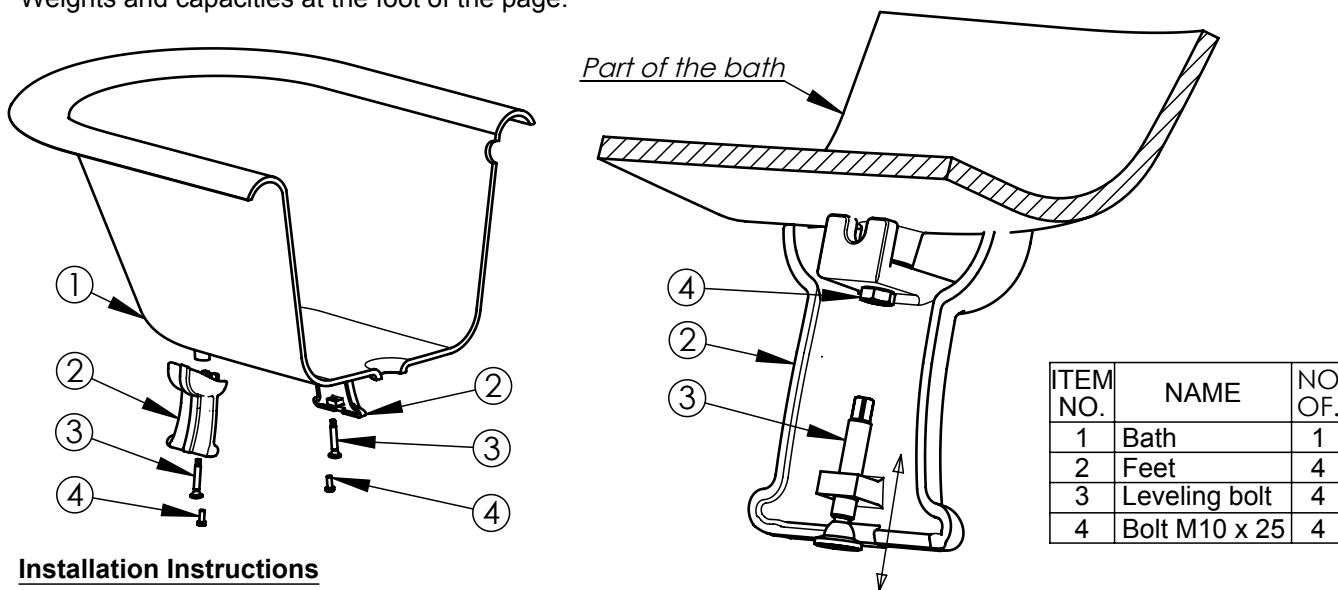


Important

- Please inspect this product immediately on delivery to ensure that it has not been damaged in transit and is complete. Any claim for damage or shortage will not be entertained unless received within 3 days.
- To ensure this product is installed properly, you must read and follow these guidelines.
- Please read the whole of these instructions before starting installation.
- Be sure your installation conforms to local regulations.
- We recommend that this product is installed by a qualified professional contractor.
- Please refer to the specification and assembly drawings attached.
- Before installation, please inspect this product to ensure that it is the correct model and you have all the parts required for proper installation.
- Take all the necessary precautions to ensure that all parts are properly protected during installation. Polished and plated surfaces are particularly prone to damage from dirty and incorrect tools; spanners should be suitably lined so as not to damage plated or polished nuts.
- Flush the existing system with water to ensure that there is no debris in the existing pipework before commencing installation.
- When drilling holes in walls or floors be aware of any existing pipes or cables.
- Access panels to waste and isolation valves should be considered before installation.

Pre Delivery

Make sure that you have access to the point of installation from the point of delivery. Ensure that the floor is adequate for the weight of the bath and water. Ensure that the taps are suitable for the bath, for example are the taps or spout long enough to clear the bath side and any overflow fitting, are taps on H stands going to interfere with a waste or overflow, does the addition of a shower cause conflict with another fitting, can one stand in the bath under the shower without interference from another fitting. Weights and capacities at the foot of the page.



Installation Instructions

Freestanding baths with feet

1. A clear area must be prepared with a protective surface in order to fit the feet. Remove the bath and feet from the wooden crate and place the bath face down upon the protective surface. Using the diagrams above attach the feet to the bath.
2. The feet are individually numbered to match its specific position on the bath. Attach the feet (2) to the bath with bolts (4) as per the diagram ensuring that the feet are secure. Attach the leveling bolts (4).
3. Turn the bath over but take care not to place strain on any of the feet until the bath is ready to be lowered down onto all four feet equally.
4. Use the leveling bolts to set the bath level, note that the bath must be set so that no water remains in the bath once drained.
5. Place the bath in the required position to enable positions to be marked for supply and waste pipes.
6. Remove the bath to a safe area where the bath will not be damaged and make provision for the connections that the installation requires.
7. Reinstall the bath and attach taps, waste and showers etc as required, instructions supplied separately.
8. Re check bath levels.
9. Once completed check for leaks and remedy as necessary, please leave the bath in a clean and protected condition for the customer.

All our goods are handmade and may vary slightly from drawings. If you are unsure of how to assemble the goods, please call us and we will try help over the phone. We would also ask that you try and recycle all packing where possible and leave the item well protected for the customer. Thank you.

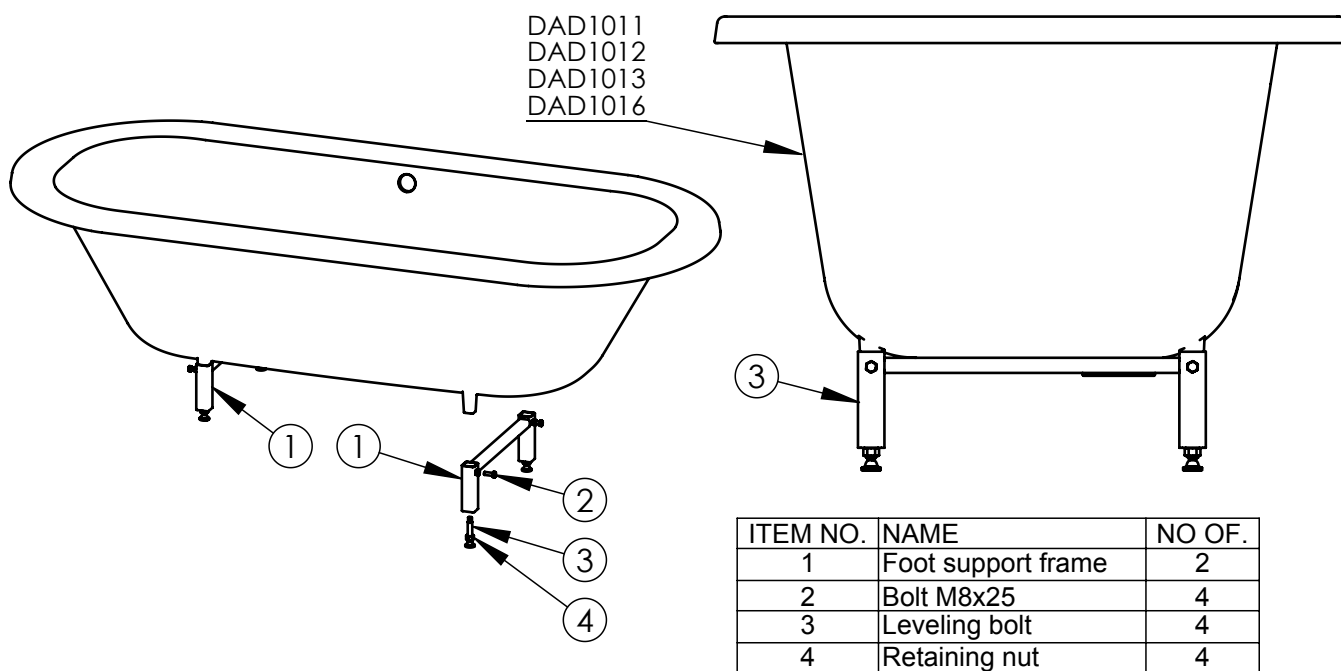
Freestanding baths without feet

These require either an access panel or alternatively flexible connections, for example; the bath can be tilted at an angle allowing access to be made to the flexible connections then lower the bath to the floor using the instructions and precautions as per the freestanding baths with feet above. Note; take care with heavy baths using supports where necessary whilst installing.

Built in baths

Note; due to the individual nature of built in baths specific instructions are difficult to provide so use the instructions below as a general guide. Baths will be either built around or lowered into position, please bear this in mind when planning the installation.

1. A clear area must be prepared with a protective surface in order to fit the foot support frame. Remove the bath from the wooden crate and place the bath face down upon the protective surface. Using the diagrams below attach the foot support frame to the bath.



2. Turn the bath over but take care not to place strain on any of the feet until the bath is ready to be lowered down onto all four supports equally.
3. Use the leveling bolts to set the bath level, note that the bath must be set so that no water remains in the bath once drained.
4. Place the bath in the required position to enable positions to be marked for supply and waste pipes.
5. Remove the bath to a safe area where the bath will not be damaged and make provision for the connections that the installation requires.
6. Reinstall the bath and attach taps, waste and showers etc as required, instructions supplied separately.
7. Re check bath levels.
8. Once completed check for leaks and remedy as necessary, please leave the bath in a clean and protected condition for the customer.

Care and Maintenance

Caring for interior enamel

You should only use mild detergent cleaners applied with a soft cloth and plenty of water to wash away any gritty deposits. The bath should be dried with a soft towel after cleaning. Under no circumstances should any abrasive, acid or bleach be used, or any cleaner containing acid, bleach or abrasives as these will over time affect the surface and reduce the shine. Always ensure that leaking taps are repaired and lime scale is not allowed to build up on the bath.

The exterior of your bath

A Drummonds cast iron bath is finished to the same high standard as the interior of the bath and providing that you follow the care instructions below should last you a lifetime. Drummonds guarantee the exterior for one year against manufacturing defects.

All our goods are handmade and may vary slightly from drawings. If you are unsure of how to assemble the goods, please call us and we will try help over the phone. We would also ask that you try and recycle all packing where possible and leave the item well protected for the customer. Thank you.

Caring for the exterior finish

Raw, primed or painted exterior - other than occasional cleaning of the exterior of your bath to maintain the appearance, any chips or scratches in the paintwork must be touched in immediately to prevent rusting of your bath. When choosing a painted finish please select a colour from the Farrow and Ball range and specify a matt or gloss finish.

Polished & lacquered exterior- care must be taken when moving your bath as any scratches to the exterior lacquer will require the lacquer to be stripped off and reapplied. Clean occasionally with a soft dry cloth and furniture polish. Never use an abrasive cleaner to clean the bath.

Copper Clad exterior (Usk only) - care must be taken when moving your bath to avoid denting or scratching the lacquered exterior finish. Clean occasionally with a soft dry cloth and furniture polish. Never use an abrasive cleaner to clean the bath.

Nith Wooden Bath - The interior and exterior are covered with up to 10 coats of marine epoxy lacquer which is guaranteed against manufacturing defects for one year. Care must be taken when moving the bath as any scratches to the lacquer will require the lacquer to be stripped off and reapplied. Clean the inside of the bath with a mild soap and lots of water. Under no circumstances should any acid, bleach or abrasive cleaners be used on the bath. Never run scalding hot water onto the surface of the bath.

The brass and plated parts (taps etc) should be cleaned with a mild detergent and dried immediately. If necessary they may be polished occasionally with a mild silver polish but excess polishing will damage the plating and should be avoided.

In hard water areas a water softener should be fitted to avoid the build up of scale in the taps and shower jets. On no account should acid be used to remove the limescale as it could damage the brass parts and the plating.

Notes

All Drummonds' baths are manufactured by hand and as a result all quoted measurements can vary by up to 10mm.

Please try to recycle all packaging where possible and leave the item well protected for the customer - thank you. The manufacturer's warranty does not cover any products which have been damaged as a result of misuse, faulty installation or maintenance.

BATH	WEIGHT OF BATH [KG]	WATER CAPACITY [L]	WEIGHT OF BATH 2/3 FULL OF WATER [KG]
Clyde	155	220	300
Spey classic feet	196	285	384
Spey scroll feet	184	285	372
Usk	175	285	363
Torridge	175	285	363
Lomond (1910mm)	193	280	397
Lomond (1800mm)	195	275	376
Ness (1955mm)	187	280	371
Ness (1800mm)	164	275	345
Nith	100	155	202

All our goods are handmade and may vary slightly from drawings. If you are unsure of how to assemble the goods, please call us and we will try help over the phone. We would also ask that you try and recycle all packing where possible and leave the item well protected for the customer. Thank you.