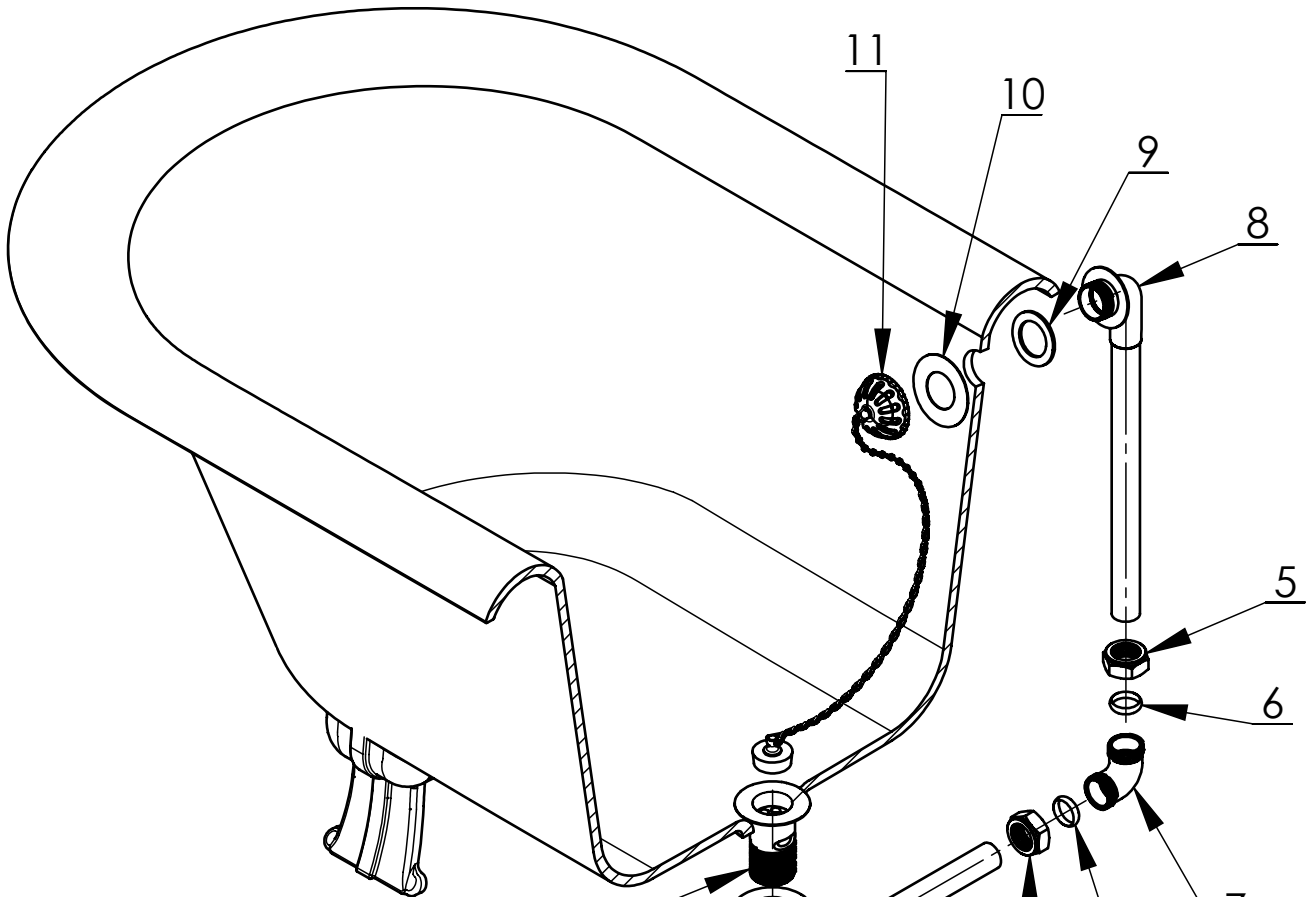


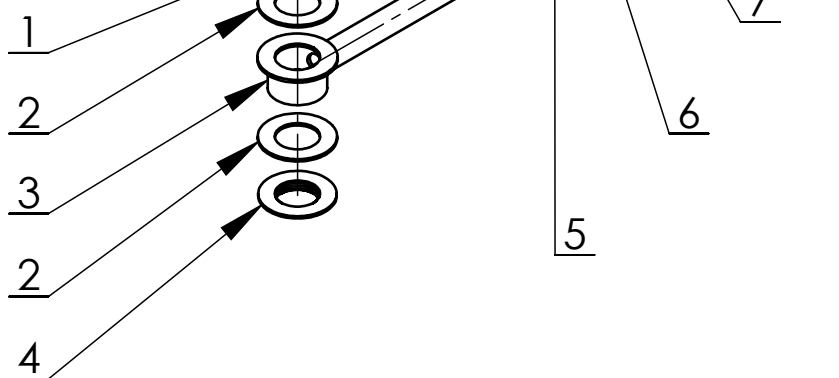
**BANJO WASTE STANDARD ASSEMBLY**

**Important information:**

- This product must be installed by a professional plumbing contractor.
- Please inspect the product to ensure it is the correct model and that you have all the parts required prior to installation.
- Please take all necessary precaution to ensure the item is protected during installation.
- Please read the specification and assembly drawings carefully prior to set up.



PIECE NO.	NAME	QUANTITY
1	Threaded waste	1
2	Rubber washer	2
3	Bottom pipe (banjo)	1
4	Back nut	1
5	Compression nut	2
6	Ring	2
7	Bend	1
8	Overflow pipe	1
9	Gasket	1
10	Washer	1
11	Overflow type - 1	1





## Installation

1. Put the waste (1) into the bottom outflow hole sealing it with putm or silicone. Put the following items onto the waste in sequence: the rubber washer (2), the bottom pipe (3), the rubber washer (2) and the back nut (4). Next tighten up all the elements using the back nut (4) ensuring the pipe (3) can turn round.
2. Put the following items onto the pipe (3) in sequence: the nut (5), the ring (6) and the knee (7). Next screw down the nut (5) onto the elbow (7) ensuring the elbow can turn round.
3. Put the nut (5) and the ring (6) onto the overflow pipe. Settle the bottom part of the pipe (8) in the elbow (7) and screw the nut (5) with the elbow (7) together ensuring the side pipe can turn round freely.
4. Put the gasket (9) onto the top part of the pipe (8). Put the top part of the pipe with the thread into the side outflow hole of the bath. Next put the washer (10) and screw down the overflow (11) onto the top part of the pipe from the inside of the bath, sealing with suitable sealant.
5. Make sure that all the elements are correctly assembled. Tighten up all the nuts with the system is tight, and does not leak enough tension to ensure.

