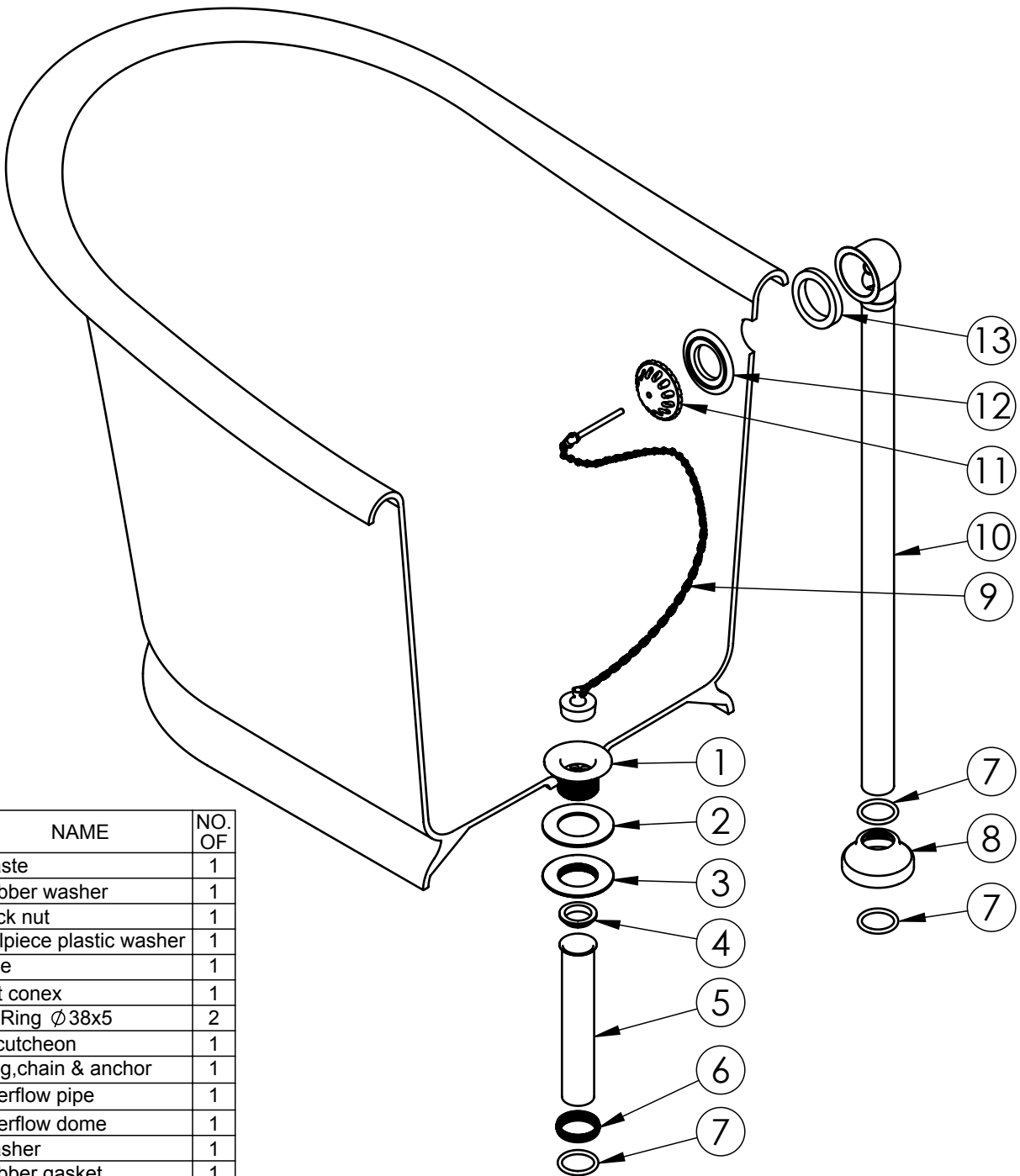




Important

- Please inspect this product immediately on delivery to ensure that it has not been damaged in transit and is complete. Any claim for damage or shortage will not be entertained unless received within 3 days.
- To ensure this product is installed properly, you must read and follow these guidelines.
- Please read the whole of these instructions before starting installation.
- Be sure your installation conforms to local regulations.
- We recommend that this product is installed by a qualified professional contractor.
- Please refer to the specification and assembly drawings attached.
- Before installation, please inspect this product to ensure that it is the correct model and you have all the parts required for proper installation.
- Take all the necessary precautions to ensure that all parts are properly protected during installation. Polished and plated surfaces are particularly prone to damage from dirty and incorrect tools; spanners should be suitably lined so as not to damage plated or polished nuts.

When drilling holes in walls or floors be aware of any existing pipes or cables.
Due to access restrictions an access panel may help with the installation of the bath waste.



ITEM NO.	NAME	NO. OF
1	Waste	1
2	Rubber washer	1
3	Back nut	1
4	Tailpiece plastic washer	1
5	Pipe	1
6	Nut conex	1
7	'O' Ring ϕ 38x5	2
8	Escutcheon	1
9	Plug, chain & anchor	1
10	Overflow pipe	1
11	Overflow dome	1
12	Washer	1
13	Rubber gasket	1

1. Check that you have all the parts required to complete the installation
2. Fit the waste (1) into the bath with a suitable sealant ensuring that the rubber washer (2) is correctly seated and secure with the backnut (3).
3. Install waste pipe (5) onto waste (1) with tailpiece plastic washer (4) and nut (6). At this point slide on O ring (7) onto the waste pipe (5). The bath can now be installed positioning the waste pipe (5) into a previously drilled hole in the floor of a suitable size. This operation may be somewhat easier if an access panel is used enabling the waste pipe (5) to be fitted whilst the bath is in position. The O ring should be positioned in the hole on the pipe to provide support and act as a seal.
4. Once the bath is in place slide O ring (7) and escutcheon (8) over the base of the overflow pipe (10) and fit into a suitably sized hole drilled through the floor using O ring (7) as a support and seal.
5. Line up the top of the overflow pipe with the overflow hole in the bath ensuring correct alignment of the tapered rubber gasket (13) using a suitable sealant where necessary. From inside the bath install washer (12) with a little sealant on the rear face and then install the overflow dome (12), secure the assembly with the threaded bolt on the waste plug and chain (9). Ensure that the overflow pipe is vertical then slide down to the floor the escutcheon (8) and O ring (7).
6. Clean any excess sealant from the fittings and bath.
7. Connect a suitable trap (not supplied) to the waste (5) and overflow (10).
8. Check that all joints are watertight.

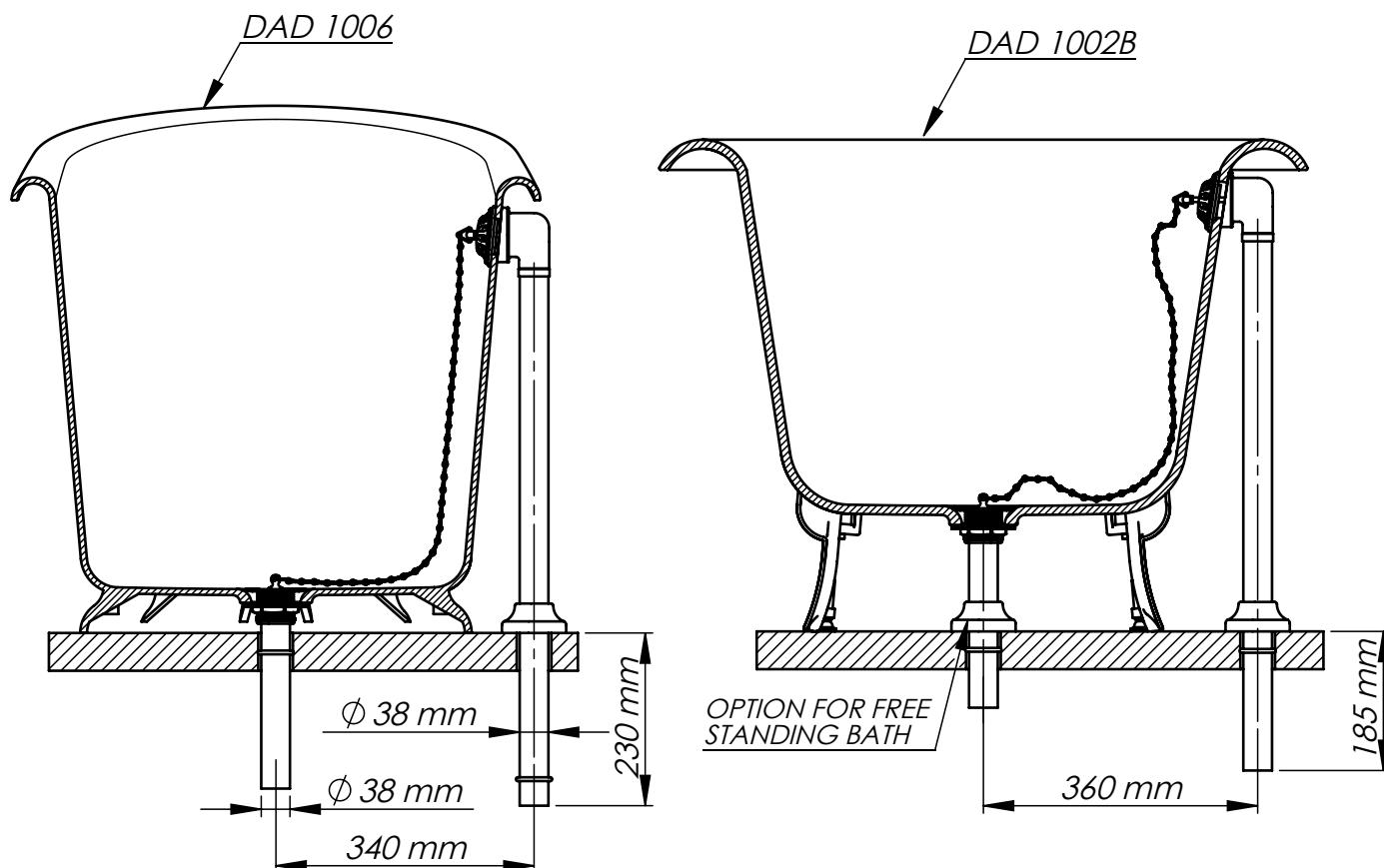
Notes: Drummond's products are handmade therefore dimensions may vary slightly.
 Please try to recycle all packaging where possible and leave the item well protected for the customer - thank you.

The manufacturer's warranty does not cover any products which have been damaged as a result of misuse, faulty installation or maintenance.

Cleaning

Brass - use a mild non-abrasive cleaner such as brasso.

Chrome and nickel plated products - use a mild non-abrasive cleaner such as silvo.



All our goods are handmade and may vary slightly from drawings. If you are unsure of how to assemble the goods, please call us and we will try help over the phone. We would also ask that you try and recycle all packing where possible and leave the item well protected for the customer. Thank you.