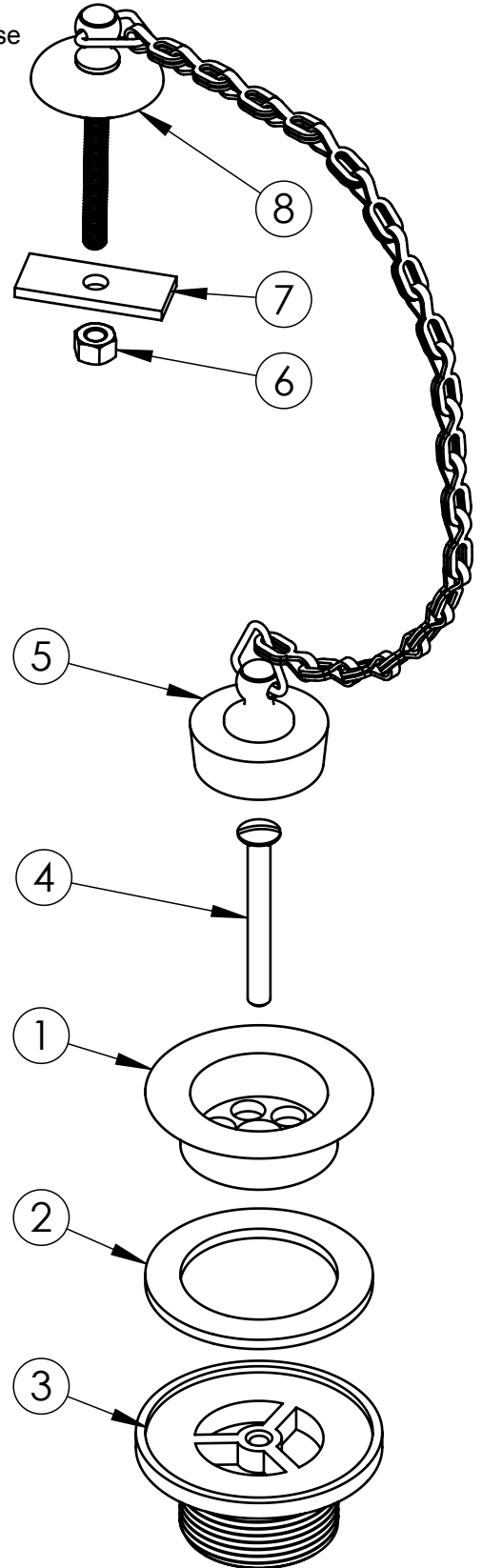
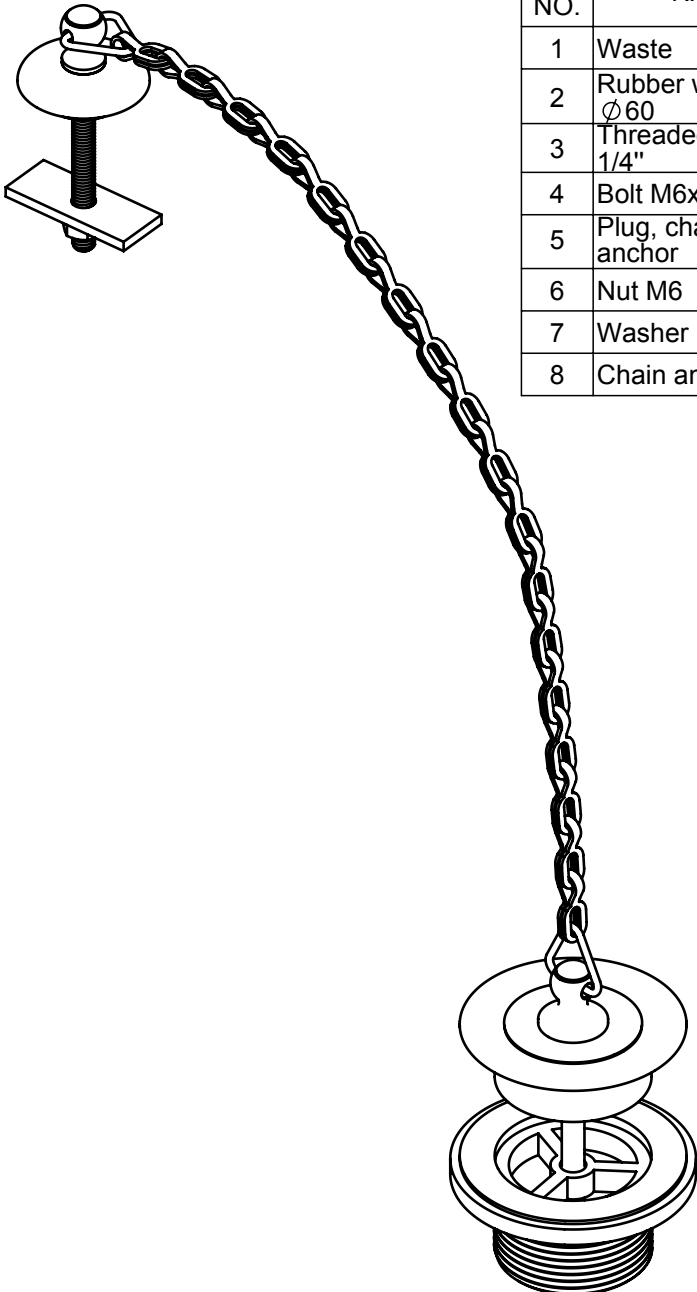


Important

- Please inspect this product immediately on delivery to ensure that it has not been damaged in transit and is complete. Any claim for damage or shortage will not be entertained unless received within 3 days.
- To ensure this product is installed properly, you must read and follow these guidelines.
- Please read the whole of these instructions before starting installation.
- Be sure your installation conforms to local regulations.
- We recommend that this product is installed by a qualified professional contractor.
- Please refer to the specification and assembly drawings attached.
- Before installation, please inspect this product to ensure that it is the correct model and you have all the parts required for proper installation.
- Take all the necessary precautions to ensure that all parts are properly protected during installation. Polished and plated surfaces are particularly prone to damage from dirty and incorrect tools; spanners should be suitably lined so as not to damage plated or polished nuts.

ITEM NO.	NAME	NO OF.
1	Waste	1
2	Rubber washer Ø 60	1
3	Threaded bush 1 1/4"	1
4	Bolt M6x55	1
5	Plug, chain & anchor	1
6	Nut M6	1
7	Washer M6	1
8	Chain anchor bolt	1





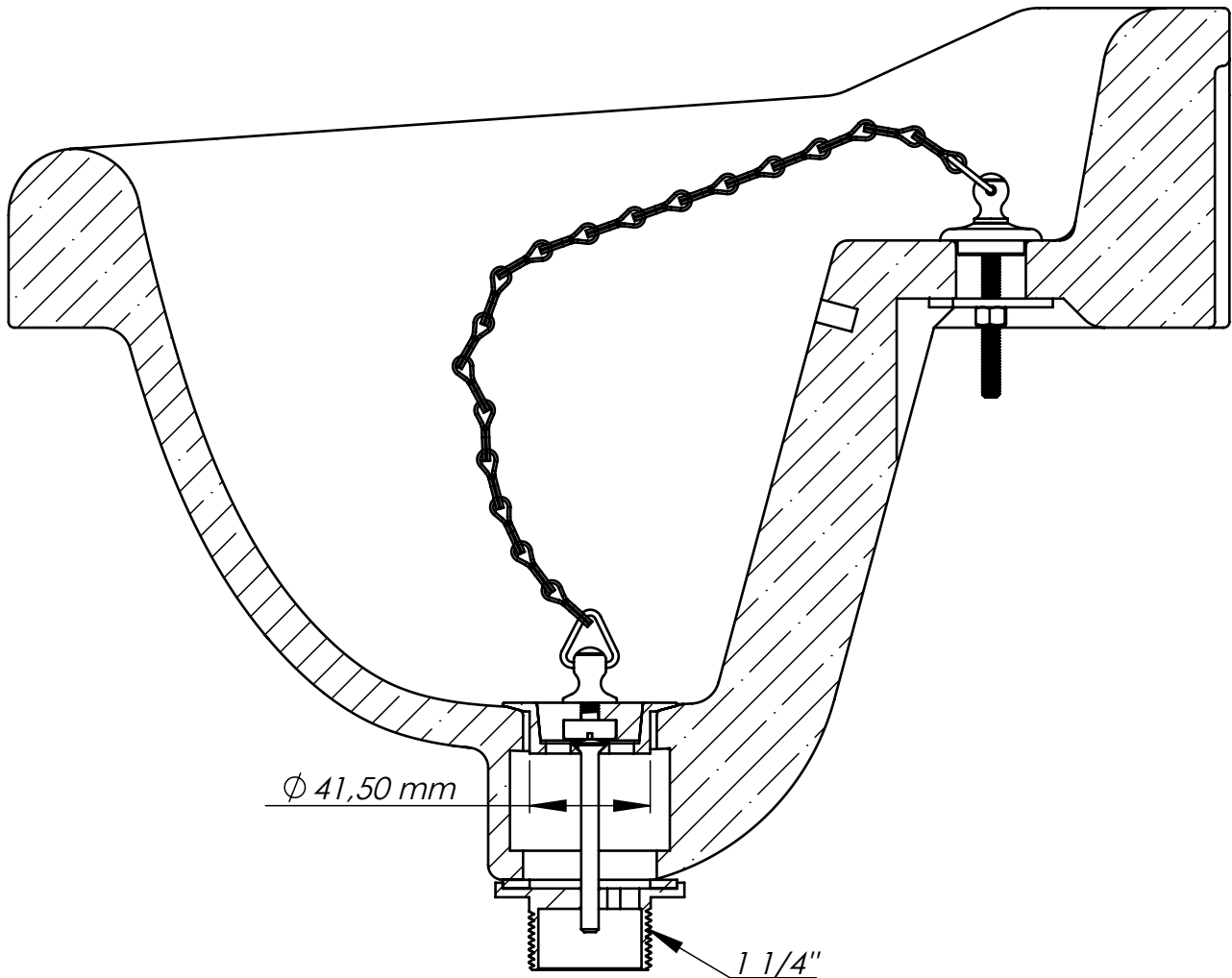
1. Fit waste (1) into the basin using a suitable sealant. From under the basin install washer (2) and threaded bush (3) ensuring that all the items are correctly positioned. Pass bolt (4) through waste (1) and screw into threaded bush (3) use only sufficient pressure to create a watertight seal. Remove any excess sealant from the fixture.
2. Install the chain anchor bolt (8) through the opening in the basin (using sealant if necessary) then from the underneath of the basin fit washer (7) and secure with nut (6), do not use excessive pressure.
3. Check that the waste is watertight.

Notes: Drummond's products are handmade therefore dimensions may vary slightly. Please try to recycle all packaging where possible and leave the item well protected for the customer - thank you.

The manufacturer's warranty does not cover any products which have been damaged as a result of misuse, faulty installation or maintenance.

Cleaning

Brass - use a mild non-abrasive cleaner such as brasso. Chrome and nickel plated products - use a mild non-abrasive cleaner such as silvo.



All our goods are handmade and may vary slightly from drawings. If you are unsure of how to assemble the goods, please call us and we will try help over the phone. We would also ask that you try and recycle all packing where possible and leave the item well protected for the customer. Thank you.