



Important

- Please inspect this product immediately on delivery to ensure that it has not been damaged in transit and is complete. Any claim for damage or shortage will not be entertained unless received within 3 days.
- To ensure this product is installed properly, you must read and follow these guidelines.
- Please read the whole of these instructions before starting installation.
- Be sure your installation conforms to local regulations.
- We recommend that this product is installed by a qualified professional contractor.
- Please refer to the specification and assembly drawings attached.
- Before installation, please inspect this product to ensure that it is the correct model and you have all the parts required for proper installation.
- Take all the necessary precautions to ensure that all parts are properly protected during installation. Polished and plated surfaces are particularly prone to damage from dirty and incorrect tools; spanners should be suitably lined so as not to damage plated or polished nuts.

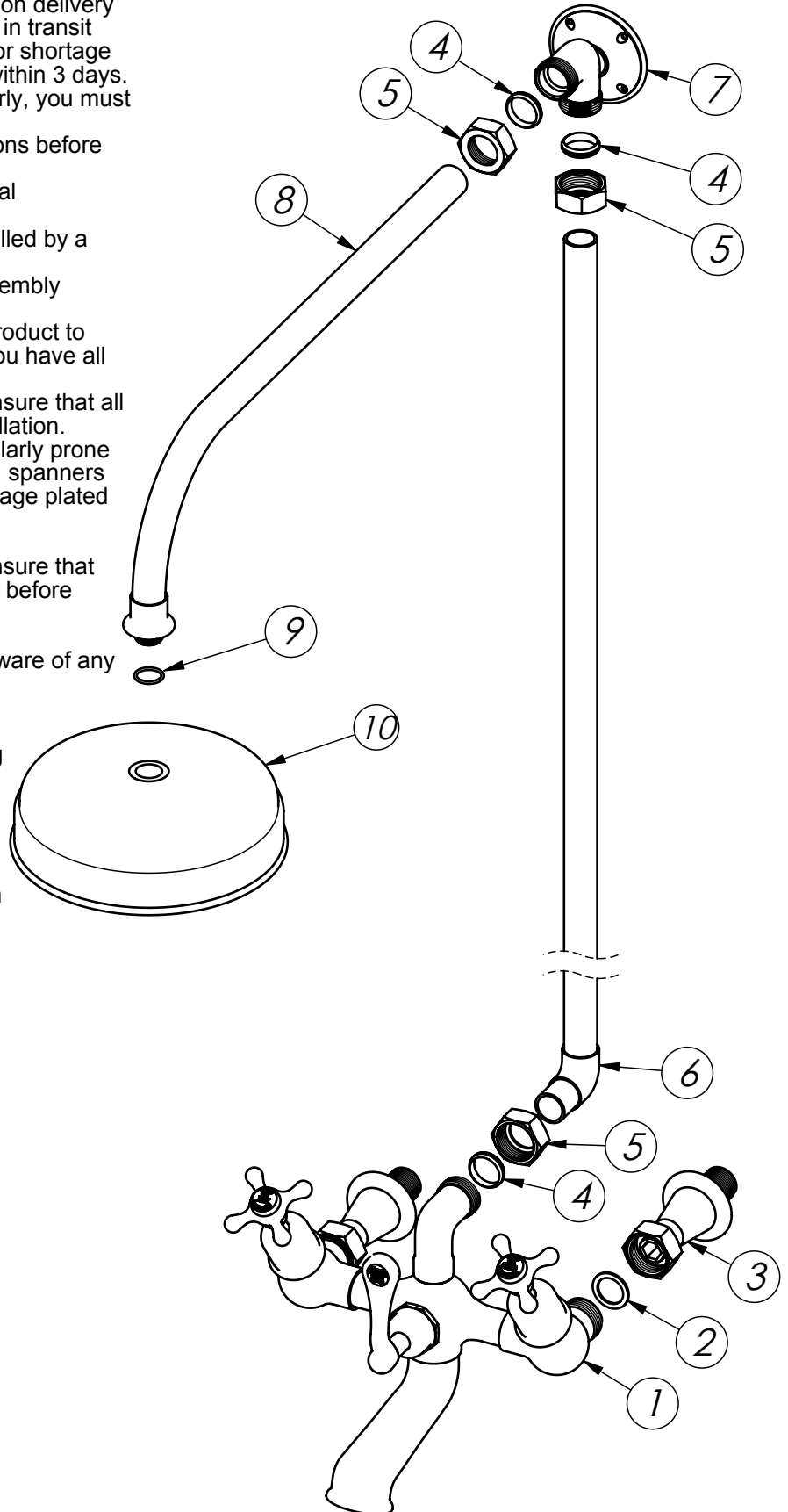
Flush the existing system with water to ensure that there is no debris in the existing pipework before commencing installation.

When drilling holes in walls or floors be aware of any existing pipes or cables.

Where the water pressure is more than 3 bar we recommend a pressure reducing valve is fitted.

Maximum water temperature 80C, advisable 60C/65C.

Water supply should terminate in a 22mm supply, hot supply being on the left.



ITEM NO.	NAME	NO OF.
1	Bath mixer	1
2	Fibre washer	2
3	Leg 1" - 3/4"	2
4	Olive	3
5	Nut M32x2	3
6	Pipe with elbow	1
7	Wall plate	1
8	Straight pipe	1
9	O-ring	1
10	Classic Rose 8"	1

1. Determine the position of the installation with regard to the bath as this will have a bearing on the appearance and function of the shower and spout.
2. Carefully position and fix legs (3) to the wall and supply.
3. Attach bath mixer (1) to legs (3) ensuring correct seating of washers (2), use only finger tight pressure at this stage, support of the mixer may be required at this stage so as not to put undue strain on the legs (3).
4. Determine the position for wall plate (7) ensuring correct alignment with the outlet on the mixer unit and drill the necessary holes in the wall to take the fixings, do not drill through the wall plate and be aware of hidden cables and pipes.
5. Cut the pipe with elbow (6) to the required length and fit to the mixer unit with olive (4) and nut (5) using only finger tight pressure at this stage.
6. Fit wall plate (7) onto pipe (6) with olive (4) and nut (5) using only finger tight pressure at this stage. Secure wall plate (7) to the wall ensuring that pipe (6) is vertical.
7. Cut pipe (8) to the required length and fit to wall plate (7) with olive (4) and nut (5) using only finger tight pressure at this stage.
8. Fit Rose (10) with o ring (9) to pipe (8) ensuring a watertight fit.
9. Ensure that the rose is positioned level then tighten all the compression nuts (5) taking care not to place undue strain on the installation.
10. Tighten nuts on legs (3).
11. Open the taps fully before turning on the water supply to ensure that no hidden debris in the water supply could become trapped in the mixer unit which could damage the internal valves.
12. Check the installation for leaks and remedy as necessary.
13. To operate the diverter move the lever either to the left or right to select either bath or shower.

Cleaning

You will need to regularly de-scale your shower heads, we recommend you detach the shower head and use a kettle de-scaling pack on the head.

For areas with hard water a water softener may be required.

Notes: Drummond's products are handmade therefore dimensions may vary slightly.

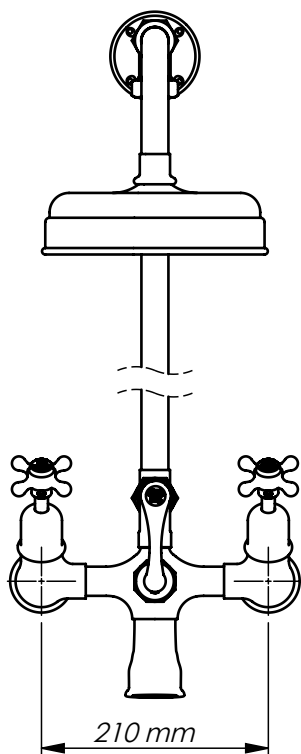
Please try to recycle all packaging where possible and leave the item well protected for the customer - thank you. The manufacturer's warranty does not cover any products which have been damaged as a result of misuse, faulty installation or maintenance.

Cleaning

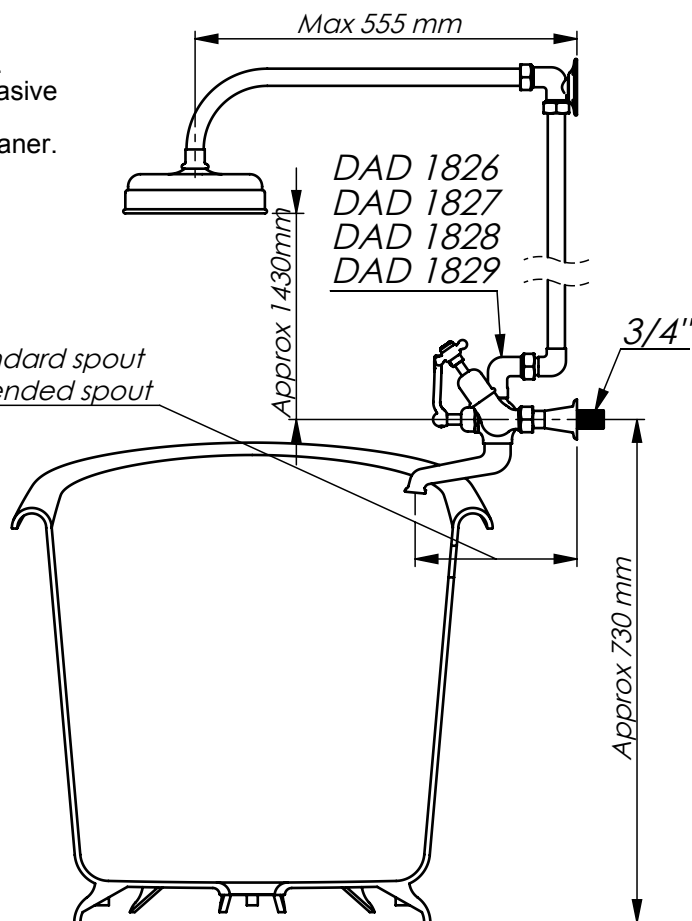
Brass - use a mild non-abrasive cleaner such as brasso.

Chrome and nickel plated products - use a mild non-abrasive cleaner such as silvo.

Chinaware - use a proprietary non abrasive bathroom cleaner.



240 mm Wall/C for standard spout
320 mm Wall/C for extended spout



All our goods are handmade and may vary slightly from drawings. If you are unsure of how to assemble the goods, please call us and we will try help over the phone. We would also ask that you try and recycle all packing where possible and leave the item well protected for the customer. Thank you.