



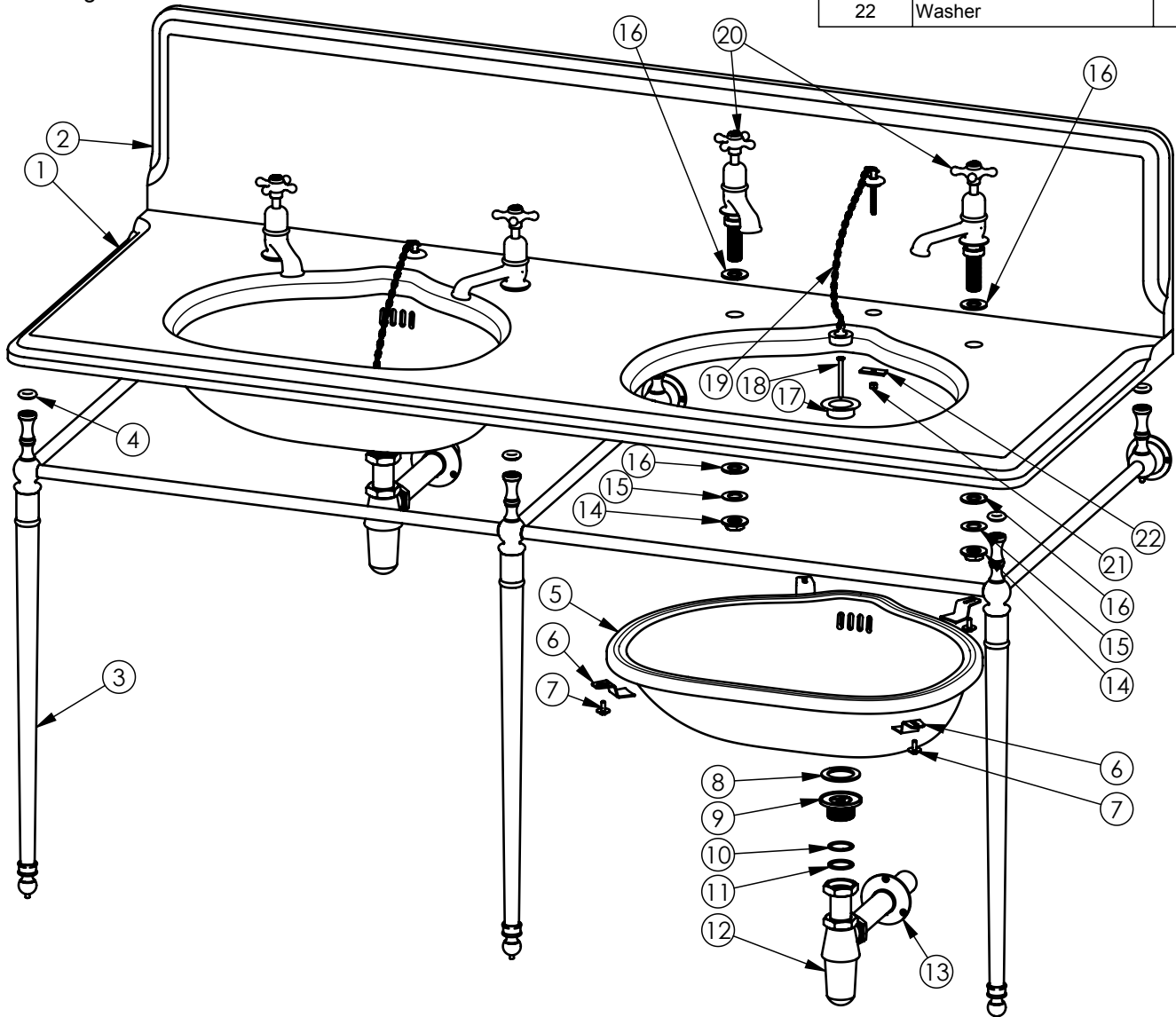
Important

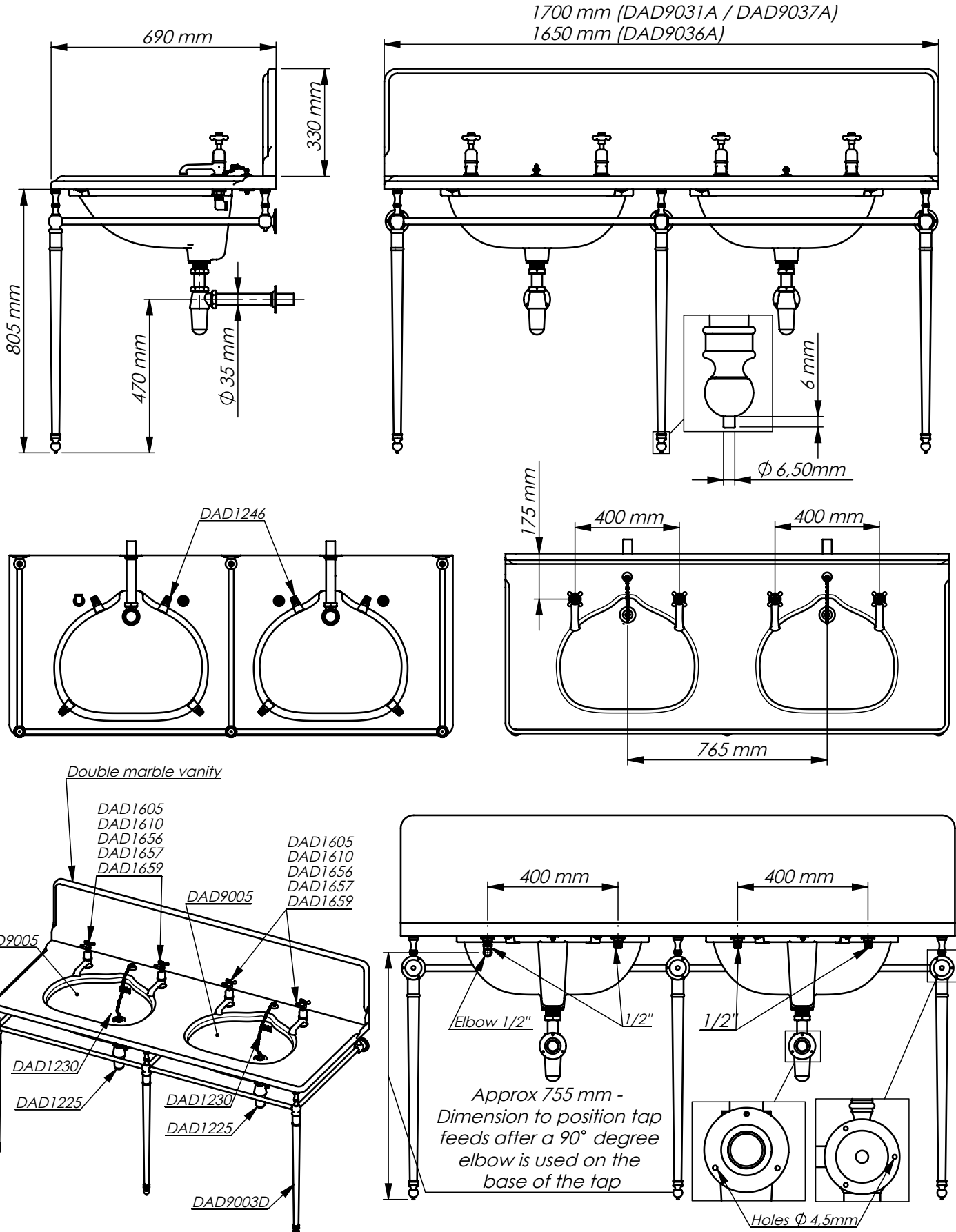
- Please inspect this product immediately on delivery to ensure that it has not been damaged in transit and is complete. Any claim for damage or shortage will not be entertained unless received within 3 days.
- To ensure this product is installed properly, you must read and follow these guidelines.
- Please read the whole of these instructions before starting installation.
- Be sure your installation conforms to local regulations.
- We recommend that this product is installed by a qualified professional contractor.
- Please refer to the specification and assembly drawings attached.
- Before installation, please inspect this product to ensure that it is the correct model and you have all the parts required for proper installation.
- Take all the necessary precautions to ensure that all parts are properly protected during installation. Polished and plated surfaces are particularly prone to damage from dirty and incorrect tools; spanners should be suitably lined so as not to damage plated or polished nuts.

ITEM NO.	NAME	NO OF.
1	Marble Top	1
2	Marble Splash Back	1
3	Stand	1
4	Washer	6
5	Morie Vanity Basin	2
6	Bracket	8
7	Bolt	8
8	Rubber gasket	2
9	Threaded bush 1 1/4"	2
10	Fibre washer	2
11	Rubber washer	2
12	1 1/4" Bottle Trap with 3" Deep Seal	2
13	Wall plate	2
14	Back nut 1/2"	4
15	Poly washer 1/2"	4
16	Rubber washer Ø21mm	8
17	Waste	2
18	Bolt M6x55	2
19	Plug, chain & anchor	2
20	Basin taps	4
21	Nut M6	2
22	Washer	2

Pre installation notes

Flush the existing system with water to ensure that there is no debris in the existing pipework before commencing installation.
When drilling holes in walls or floors be aware of any existing pipes or cables. The marble sits on six rubber washers, supported by the stand which is screwed to the wall and pinned to the floor. The marble splash back should be secured to the wall with a suitable adhesive.
Where the water pressure is more than 3 bar we recommend a pressure reducing valve is fitted.





All our goods are handmade and may vary slightly from drawings. If you are unsure of how to assemble the goods, please call us and we will try help over the phone. We would also ask that you try and recycle all packing where possible and leave the item well protected for the customer. Thank you.



Attaching the basins to the Marble

1. Ensure that you have a clear working area and that the basins, marble and stand are placed upon a protective surface and ensure that you have all the parts that are required to complete the installation.
2. Place the marble (1) face down on a level protective surface and arrange the basins (5) face down on the back face of the marble in order to check the fit between the two. Offer up the brackets (6) and bolts (7) and if the assembly locates together correctly remove the brackets and basins from the marble.
3. Smear a layer of suitable adhesive on the mating surface of the basins such as silicone and locate on the back face of the marble and secure in place with brackets (6) and bolts (7) which can be glued in place with araldite, remove excess adhesive. Leave to sit until the adhesive has cured.

Installing the Stand, Marble and Basins

4. Determine the position of the stand ensuring that once installed it will be plumb and level.
5. Drill three 6.5mm holes in the floor to accept the pins at the base of the legs on stand (3) ensuring that there are no buried cables or pipes in the floor.
6. Position the stand plumb and level in the holes in the floor so that marks can be made on the wall through the fixing plates at the rear of the stand (3) to enable holes to be drilled to take the fixings, do not drill through the brackets.
7. Drill holes in the wall and plug as necessary.
8. Reinstall the stand by placing the pins in the floor and then screw the stand to the wall.
9. Ensure that the six washers (4) are fitted to the uprights on the stand are in place, the marble and basins may now be installed.
10. Glue the marble splash back (2) to the wall with a suitable adhesive, ensure that it is plumb and level.
11. Check the assembly is secure plumb and level.

Installing the Taps - both sides

Where the water pressure is more than 3 bar we recommend a pressure reducing valve is fitted.

12. Install the taps (20) - the hot tap is usually on the left - with washer (16) through the top of the basin using a suitable sealant where necessary. From under the basin fit rubber washer (16), poly washer (15) using a suitable sealant where necessary and secure with back nut (14), do not overtighten the nut as this could damage the marble, ensure that the tap is sitting true and secure and that it is at the correct angle to the opening in the marble.
13. Connect the water supply after making sure that there is no debris in the pipework which could damage the taps.
14. Remove excess sealant from the fittings.

Installing the Waste and Bottle trap - both sides

15. Fit waste (17) into the basin using a suitable sealant. From under the basin install washer (8) and threaded bush (9) ensuring that all the items are correctly positioned. Pass bolt (18) through waste (17) and screw into threaded bush (9) use only sufficient pressure to create a watertight seal. Remove any excess sealant from the fixture.
16. Fit bottle trap (12) into a suitably sized hole through the wall to connect to the waste, mark holes through the wall plate (13) and once the trap has been removed drill the fixing holes. Replace the trap, screw the wall plate to the wall and ensuring that the washers (10 and 11) are in the correct order and seated correctly tighten the nut on the trap to the waste in the basin ensuring that no undue strain is placed upon the basin.
17. Connect the waste.

Installing the Plug and Chain - both sides

18. Install the threaded portion of the plug, chain and anchor bolt (19) through the opening in the marble (using sealant if necessary) then from under the marble secure in place with washer (22) and nut (21) - do not use excessive pressure tightening the nut as this could cause damage to the marble.
19. Open the taps and flush the system ensuring that no debris remains which could damage the valves.
20. Ensure that the assembly is secure and remove excess sealant from the fittings and check that all joints are watertight.

Notes: Drummond's products are handmade therefore dimensions may vary slightly.
Please try to recycle all packaging where possible and leave the item well protected for the customer - thank you.
The manufacturer's warranty does not cover any products which have been damaged as a result of misuse, faulty installation or maintenance.

Cleaning

Brass - use a mild non-abrasive cleaner such as brasso.

Chrome and nickel plated products - use a mild non-abrasive cleaner such as silvo.

Chinaware - use a proprietary non abrasive bathroom cleaner.

Marble - Our marble comes polished and is best cleaned with a damp cloth. If acidic or other products (including certain shampoos) are left to mark the marble it will stain easily so care will need to be taken.

All our goods are handmade and may vary slightly from drawings. If you are unsure of how to assemble the goods, please call us and we will try help over the phone. We would also ask that you try and recycle all packing where possible and leave the item well protected for the customer. Thank you.