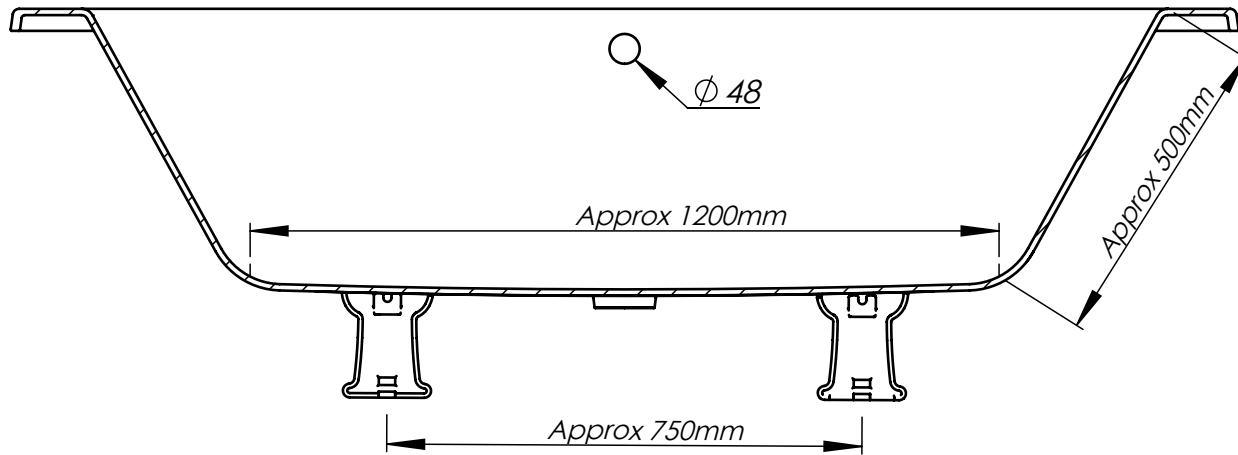
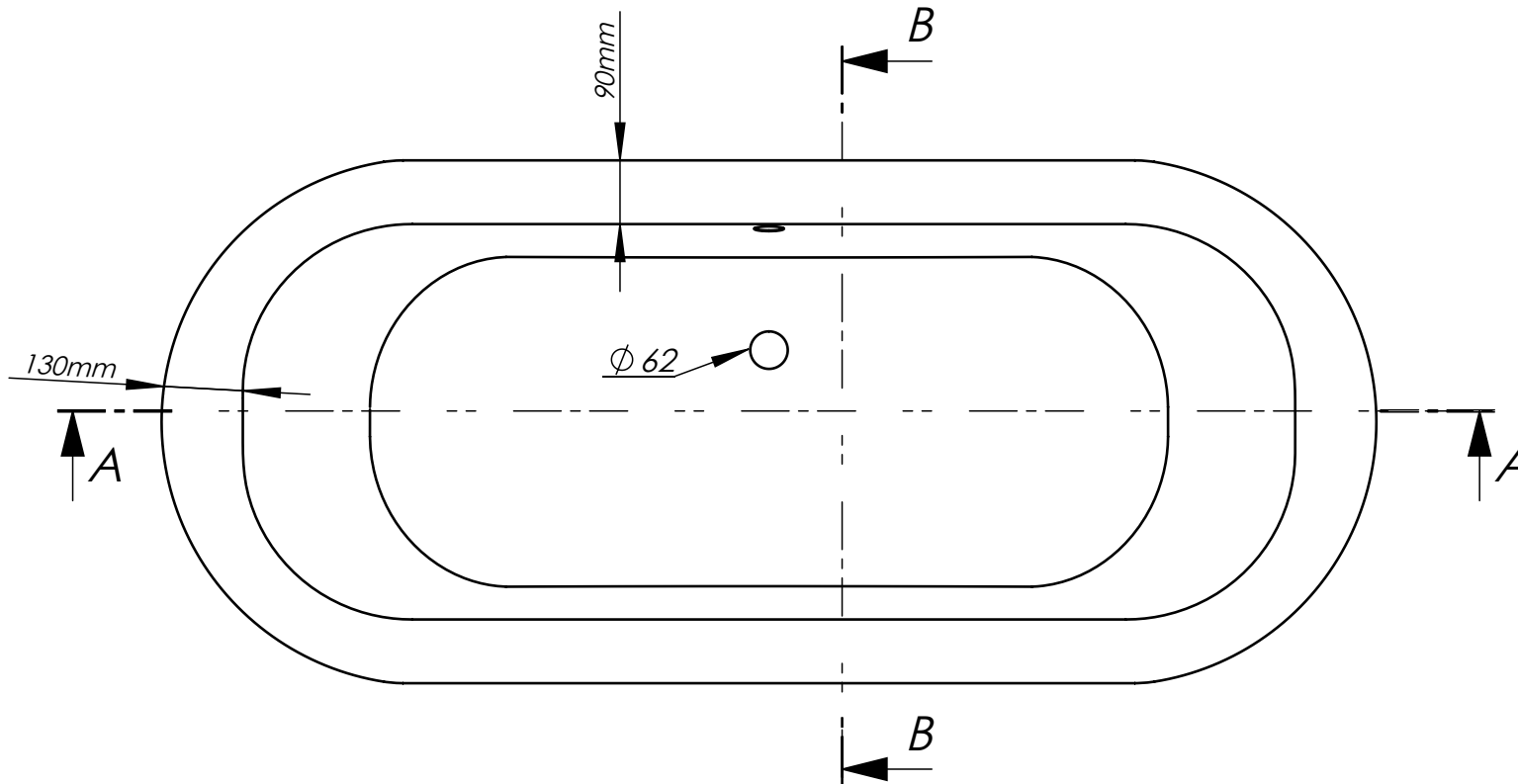
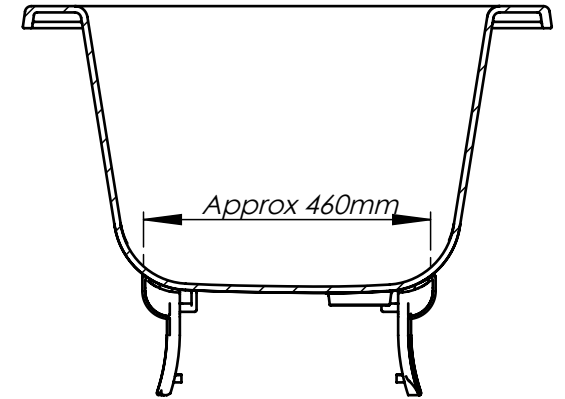


PROFILE A-A



PROFILE B-B



Crate measurements:
 Length - 2005mm
 Width - 950mm
 Height - 760mm

DAD 1011

Length: 1955mm
Width: 830mm
Height: 595mm (with feet)
Capacity: 280 litres
Weight without feet: 179 kg*
Weight with feet: 187 kg*

** Due to hand made process weight can be up to 10 kg more*