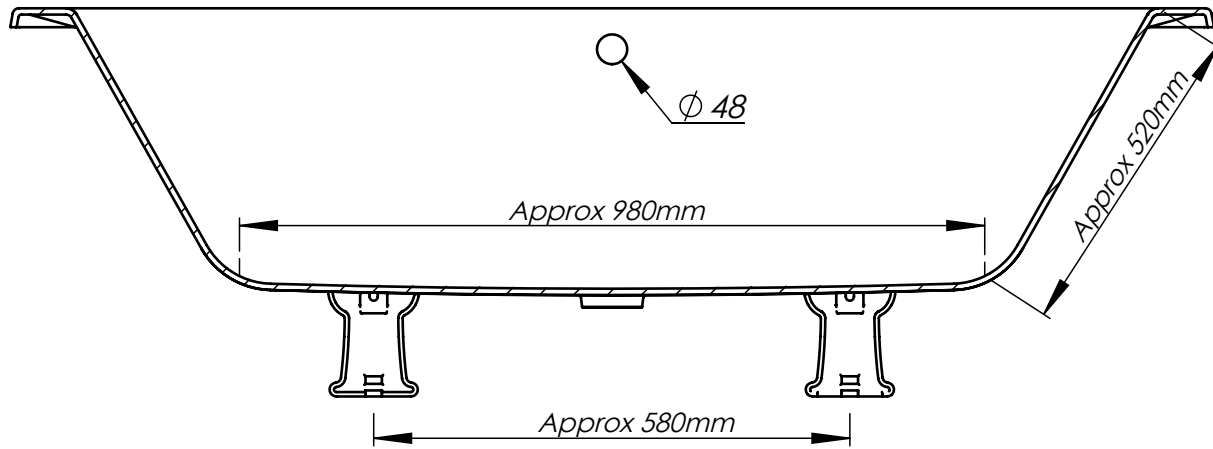
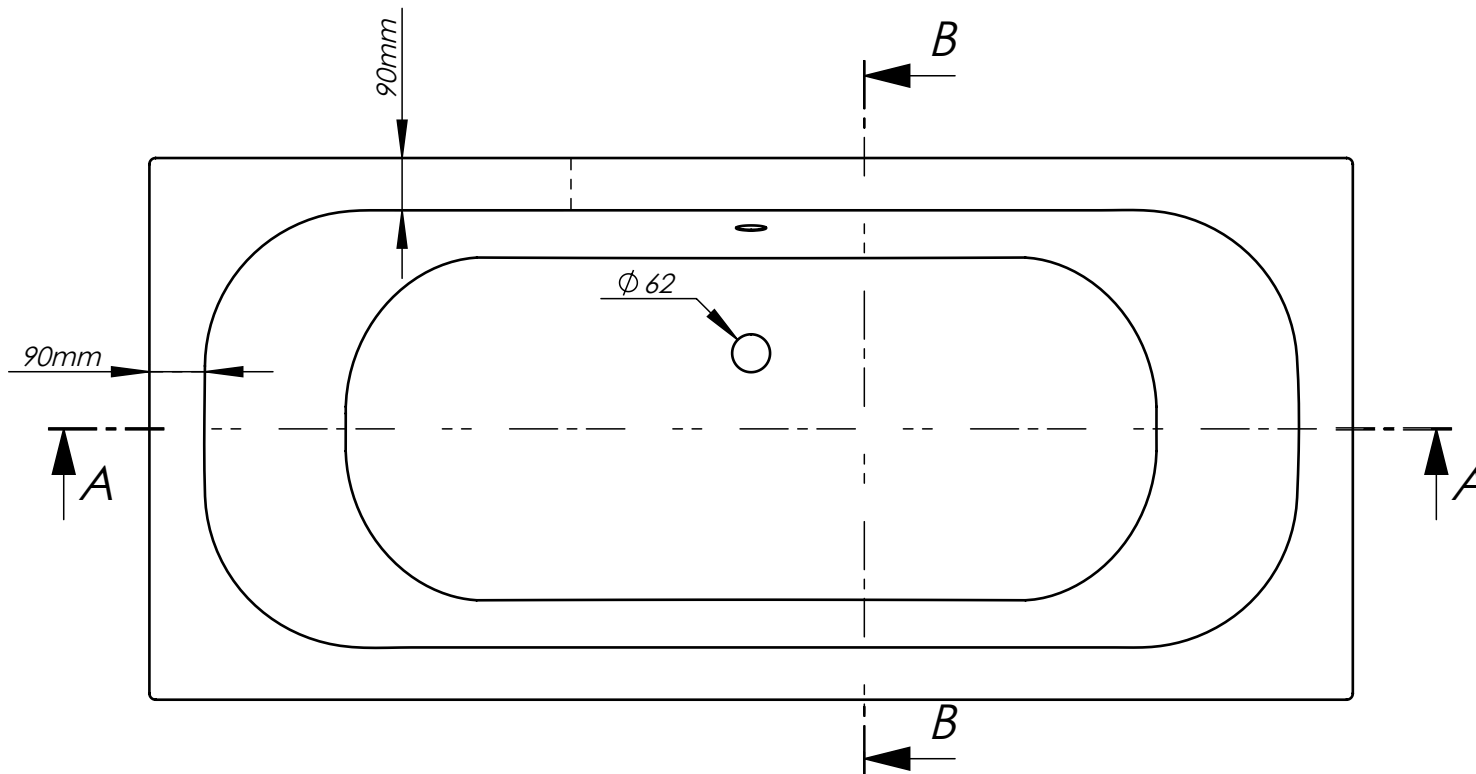
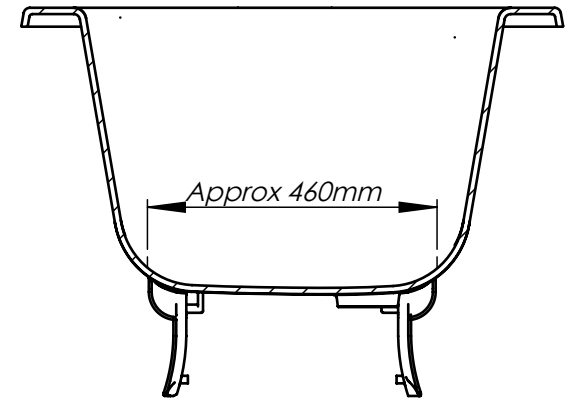


PROFILE A-A



PROFILE B-B



*Crate measurements:*  
 Length - 2005mm  
 Width - 950mm  
 Height - 760mm

**DAD 1016**

**Length: 1800mm**  
**Width: 890mm**  
**Height: 630mm (with feet)**  
**Capacity: 275 litres**  
**Weight without feet: 195 kg\***  
**Weight with feet: 203 kg\***

*\* Due to hand made process weight can be up to 10 kg more*