

Important

- Please inspect this product immediately on delivery to ensure that it has not been damaged in transit and is complete. Any claim for damage or shortage will not be entertained unless received within 3 days.
- To ensure this product is installed properly, you must read and follow these guidelines.
- Please read the whole of these instructions before starting installation.
- Be sure your installation conforms to local regulations.
- We recommend that this product is installed by a qualified professional contractor.
- Please refer to the specification and assembly drawings attached.
- Before installation, please inspect this product to ensure that it is the correct model and you have all the parts required for proper installation.
- Take all the necessary precautions to ensure that all parts are properly protected during installation. Polished and plated surfaces are particularly prone to damage from dirty and incorrect tools; spanners should be suitably lined so as not to damage plated or polished nuts.

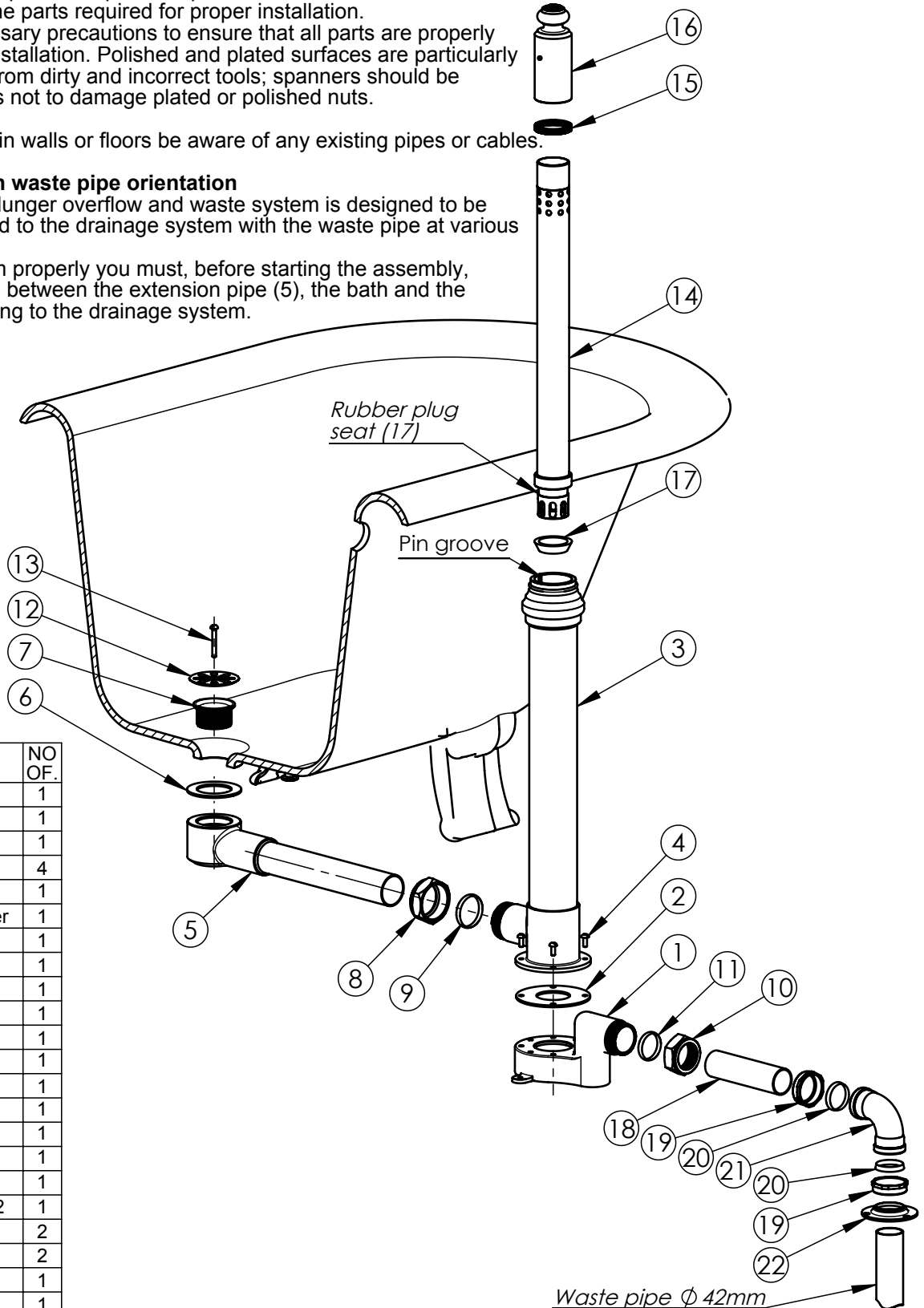
When drilling holes in walls or floors be aware of any existing pipes or cables.

Important notes on waste pipe orientation

The free-standing plunger overflow and waste system is designed to be able to be connected to the drainage system with the waste pipe at various angles.

To install the system properly you must, before starting the assembly, determine the angle between the extension pipe (5), the bath and the waste pipe connecting to the drainage system.

ITEM NO.	NAME	NO OF.
1	Trap	1
2	Trap washer	1
3	Main body	1
4	Bolt M6x16	4
5	Extension pipe	1
6	Extension washer	1
7	Waste	1
8	Nut M58	1
9	Olive Ø50	1
10	Nut M50	1
11	Olive Ø42	1
12	Waste grill	1
13	Bolt M6x45	1
14	Plunger pipe	1
15	Locking nut	1
16	Plunger head	1
17	Rubber plug	1
18	Waste pipe Ø42	1
19	Nut 1 1/4"	2
20	Poly olive Ø42	2
21	Elbow 90°	1
22	Escutcheon	1





1. Clean the contact surface of the trap (1) and the gasket (2). Place the gasket on the trap ensuring that four holes in the gasket align with those in the trap. Clean the contact surface of the main body (3) and the gasket (2). Next place the main body (3) onto the prepared trap and the gasket again ensuring that the holes align with those in the trap. Secure the main body to the trap using the M6x16 (4) bolts provided. Make sure the bolts are fully tightened.
2. Clean the contact surface of the extension pipe (5) and the gasket (6). Place the gasket on the extension pipe shoe. Clean the contact surface of the bathtub opening and the gasket. Place the extension pipe shoe under the bathtub opening and join them together loosely with the waste (7) and a suitable sealant where necessary.
3. Place the nut M58 (8) and the olive (9) on the other end of the extension pipe (5), next slide the end of the pipe into the opening in the main body (3) and loosely join the extension pipe and the main body.
4. Place the nut M50 (10) and the olive (11) on the waste pipe (18), slide the end of the waste pipe into the outlet opening of the siphon trap (1) and using the nut M50 (10) tighten them up tightly together.
5. Tighten up the nut M58 (8) and the waste (7).
6. Place the waste grill (12) on the bathtub opening and secure it to the waste (7) using the M6x45 (13) bolt provided.
7. Screw down the trap (1) to the floor through the lugs on the base of the trap (beware of any hidden pipes or cables).
8. Screw the locking nut (15) onto the plunger pipe (14) first, to be followed by the plunger head (16). After screwing on the plunger head, lock the plunger head with the locking nut (15) to prevent it from unscrewing. Then place the rubber plug (17) in the seat in such a way that the smaller diameter of the taper is directed downwards.
9. Place the prepared pipe (14) in the opening of the main body (3) so that the bottom stabilizing pin on the plunger head (16) aligns with the groove in the main body (3). When the bottom pin has slid through the groove, turn the plunger head by 180° so that the top pin aligns with the groove and slide the pipe (14) vertically down until the rubber plug (17) settles on the taper in the trap.
10. Place nut (19) and olive (20) onto waste pipe (18), slide escutcheon (22) over the waste pipe in the floor then nut (19) and olive (20), attach elbow (21). Loosely tighten this assembly and then screw the escutcheon to the floor. Tighten nuts (19) ensuring that the olives are seated correctly.
11. To check the system for leaks, fill in the bath with water. If necessary, tighten up the nuts (8), (10), (20) or the waste (7).
12. Clean any excess sealant from the fittings.

ADJUSTING THE LEVEL OF THE PLUNGER HEAD

- To change the level of the plunger head you must:
- slide the plunger head (16) out of the main body (3) until it starts to resist,
 - turn the plunger head through 180° so that the bottom pin aligns with the groove,
 - lift the plunger head up (16),
 - loosen the locking nut (15)
 - adjust the plunger head by screwing or unscrewing as needed,
 - lock the position of the plunger head (16) using the locking nut (15),
 - slide the plunger into the main body following the guidelines in the step 9.

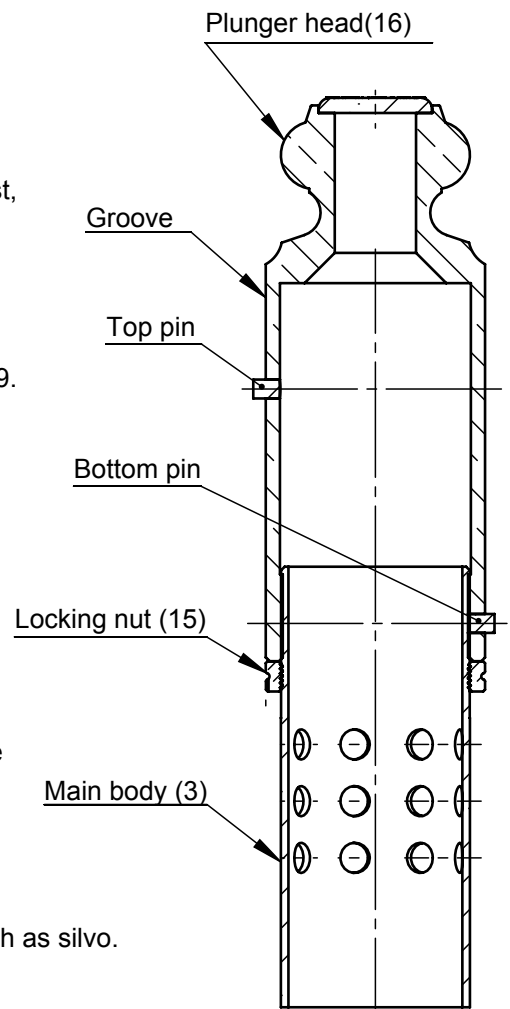
EMPTYING THE BATH

- To empty the bath you must:
- lift the plunger head (16) until it starts to resist,
 - turn the plunger head so that the top pin supports itself on the edge of the main body,
 - after emptying the bath, slide the plunger head into the main body by aligning the upper pin with the groove as in step 8.

Notes: Drummond's products are handmade therefore dimensions may vary slightly. Please try to recycle all packaging where possible and leave the item well protected for the customer - thank you.
The manufacturer's warranty does not cover any products which have been damaged as a result of misuse, faulty installation or maintenance.

Cleaning

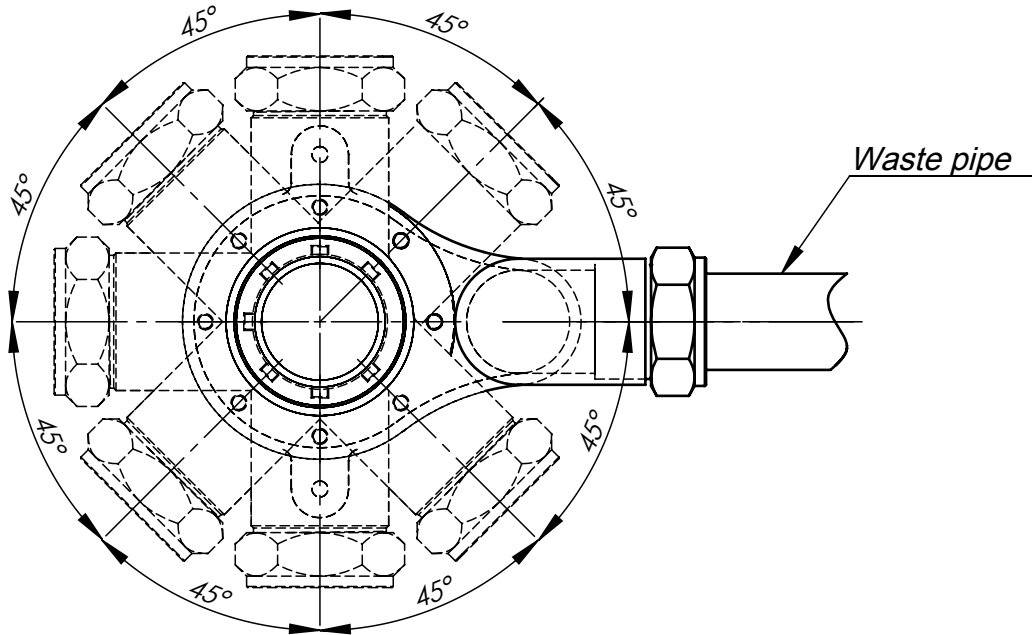
Brass - use a mild non-abrasive cleaner such as brasso.
Chrome and nickel plated products - use a mild non-abrasive cleaner such as silvo.



All our goods are handmade and may vary slightly from drawings. If you are unsure of how to assemble the goods, please call us and we will try help over the phone. We would also ask that you try and recycle all packing where possible and leave the item well protected for the customer. Thank you.

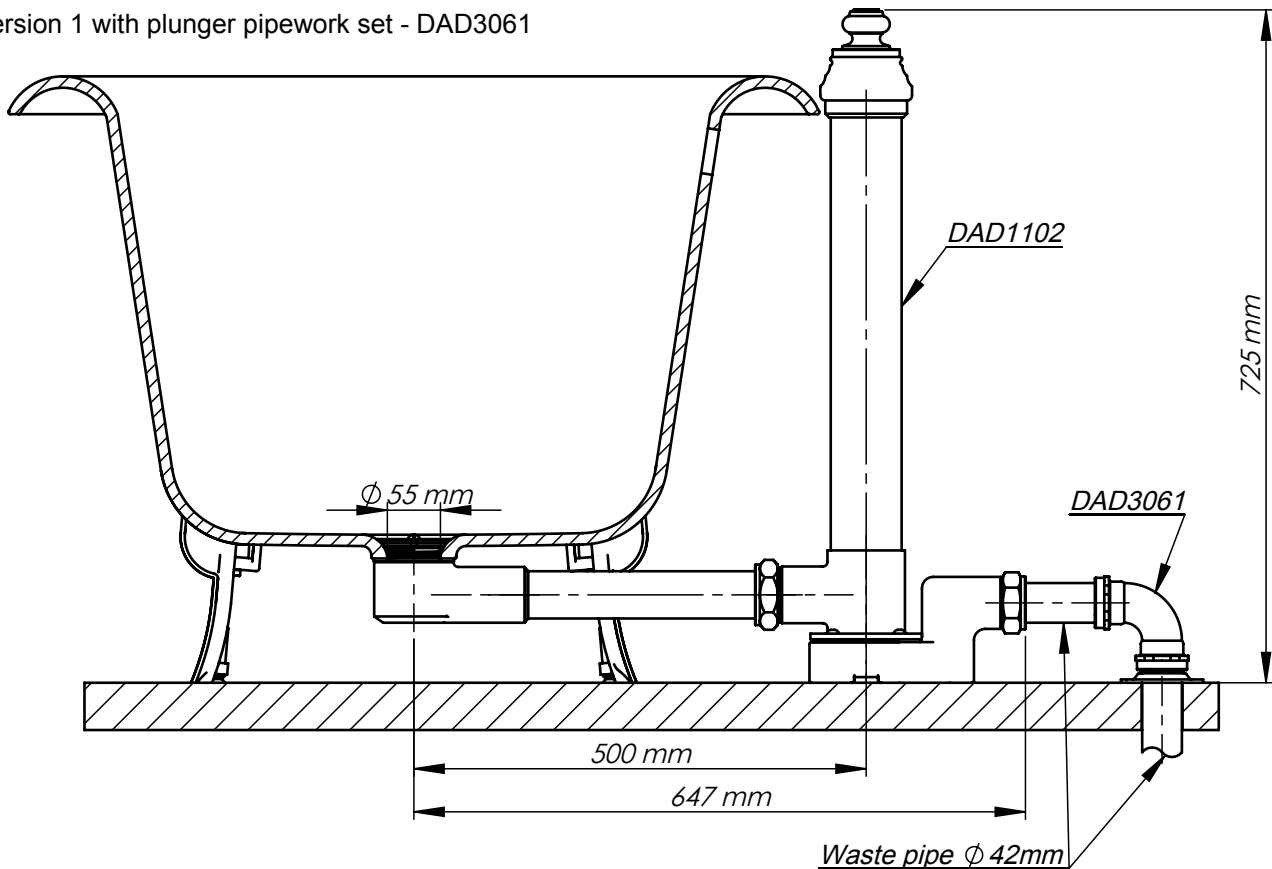
IMPORTANT

The free-standing plunger overflow and waste system is designed to be able to be connected to the drainage system with the supply pipe at various angles. To install the system properly you must, before starting the assembly, determine the angle between the extension pipe (5) and the supply pipe connecting to the drainage system. The design below shows 7 ways of connecting to the supply pipe.



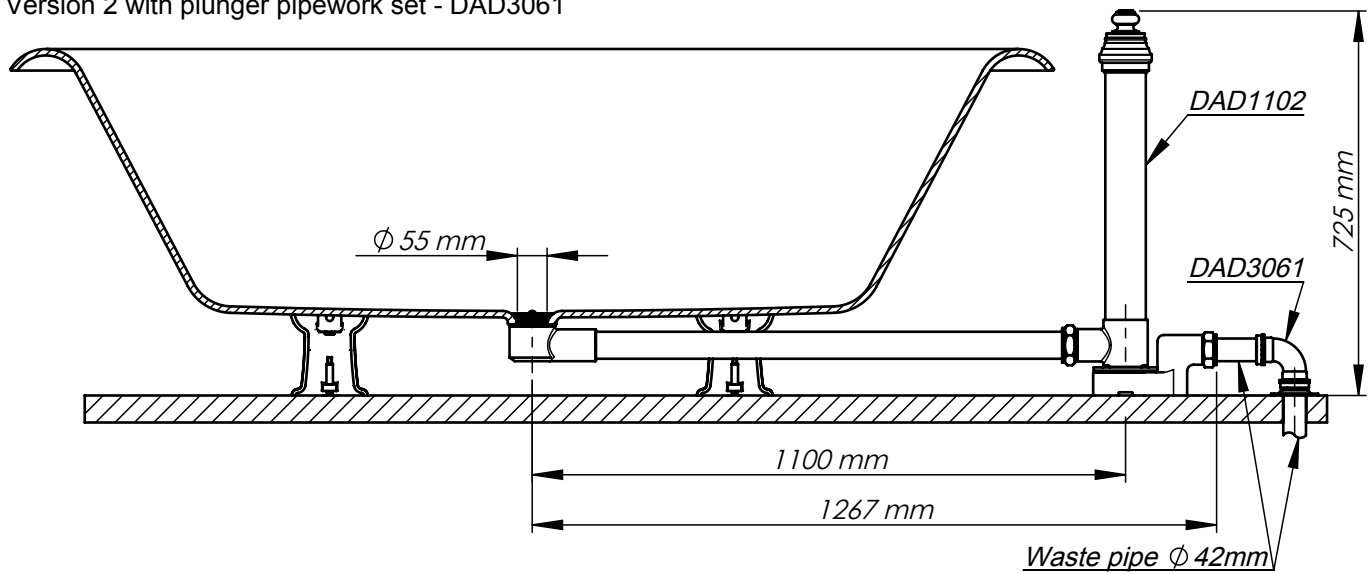
THE MAIN SIZES OF PLUNGER WASTE UNIT WITH TRAP

Version 1 with plunger pipework set - DAD3061

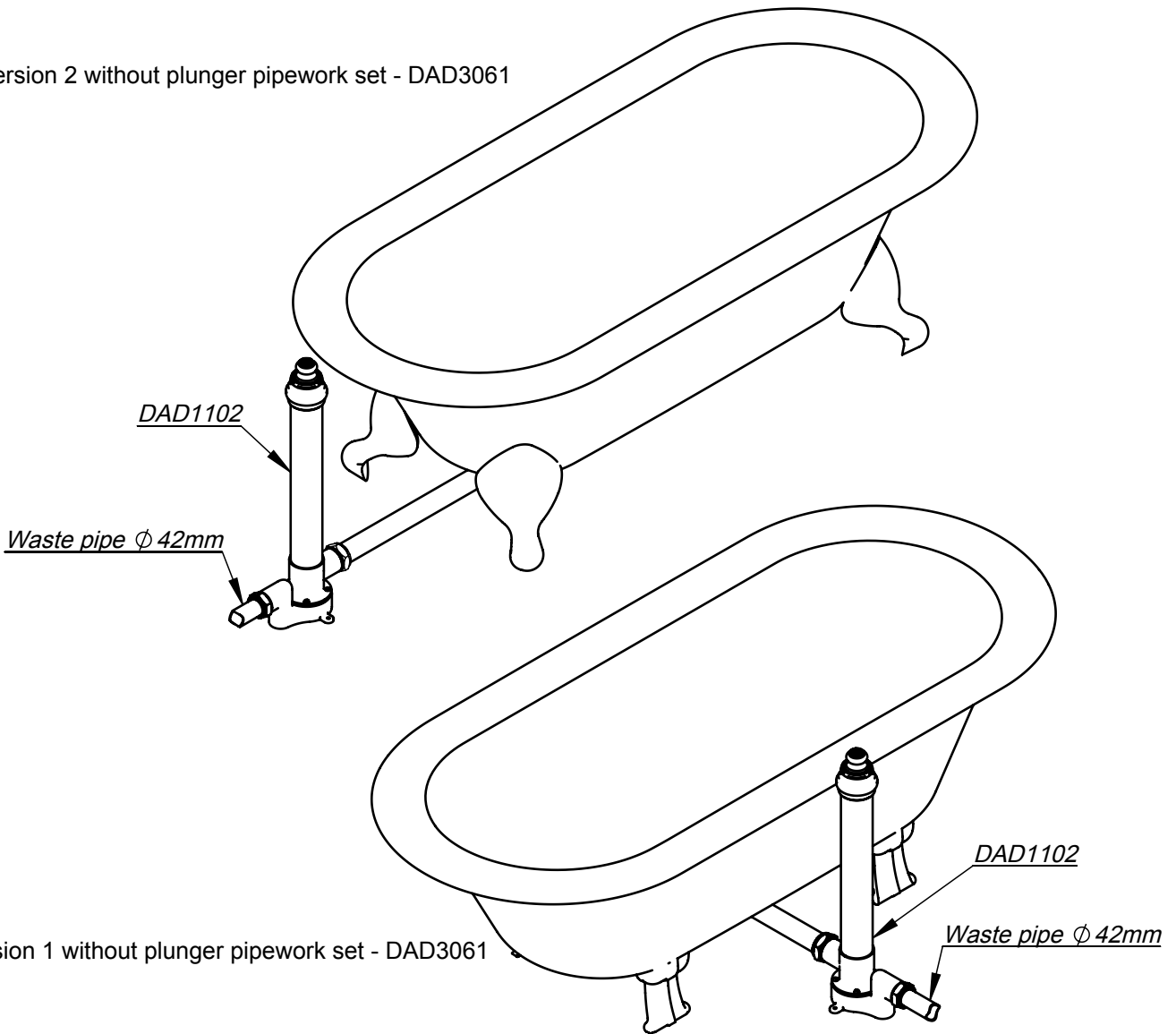


All our goods are handmade and may vary slightly from drawings. If you are unsure of how to assemble the goods, please call us and we will try help over the phone. We would also ask that you try and recycle all packing where possible and leave the item well protected for the customer. Thank you.

Version 2 with plunger pipework set - DAD3061



Version 2 without plunger pipework set - DAD3061



Version 1 without plunger pipework set - DAD3061

All our goods are handmade and may vary slightly from drawings. If you are unsure of how to assemble the goods, please call us and we will try help over the phone. We would also ask that you try and recycle all packing where possible and leave the item well protected for the customer. Thank you.