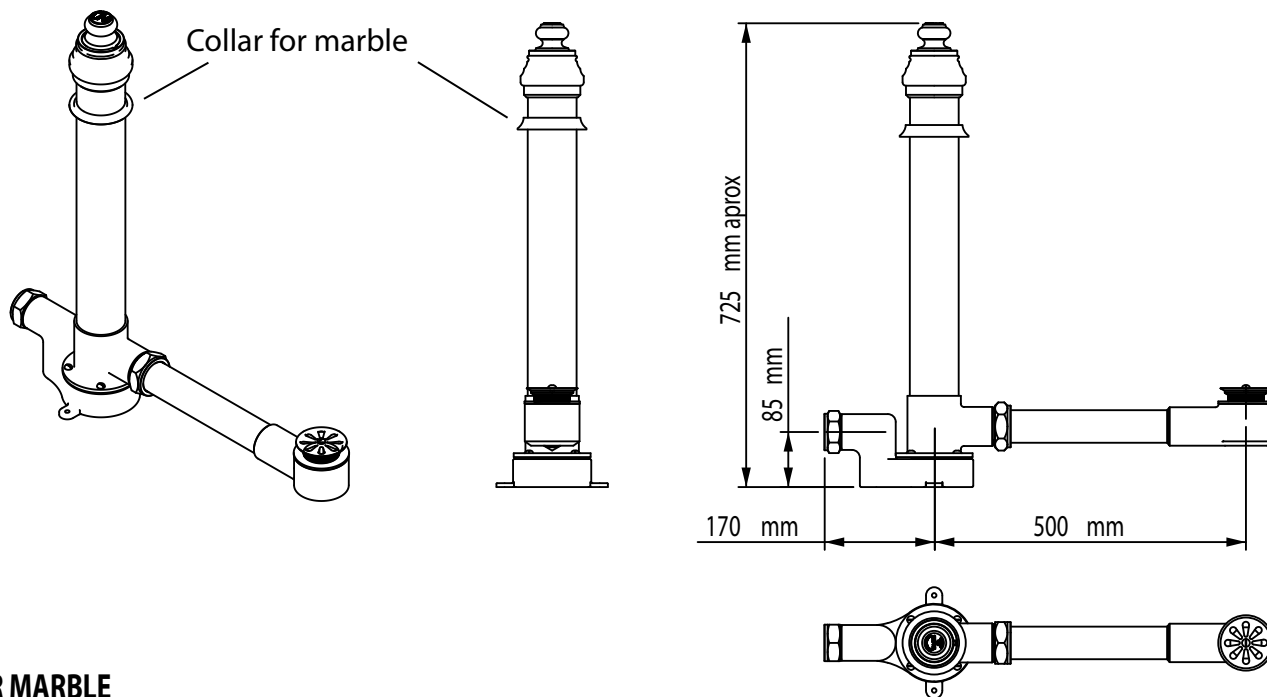


DIMENSIONS NEEDED FOR PLUNGERS
BUILT INTO MARBLE:

- A- THICKNESS OF MARBLE
- B- HEIGHT FROM THE FLOOR TO THE TOP OF MARBLE



DAD 1102M - PLUNGER UNIT FOR MARBLE