

Important

- Please inspect this product immediately on delivery to ensure that it has not been damaged in transit and is complete. Any claim for damage or shortage will not be entertained unless received within 3 days.
- To ensure this product is installed properly, you must read and follow these guidelines.
- Please read the whole of these instructions before starting installation.
- Be sure your installation conforms to local regulations.
- We recommend that this product is installed by a qualified professional contractor.
- Please refer to the specification and assembly drawings attached.
- Before installation, please inspect this product to ensure that it is the correct model and you have all the parts required for proper installation.
- Take all the necessary precautions to ensure that all parts are properly protected during installation. Polished and plated surfaces are particularly prone to damage from dirty and incorrect tools; spanners should be suitably lined so as not to damage plated or polished nuts.

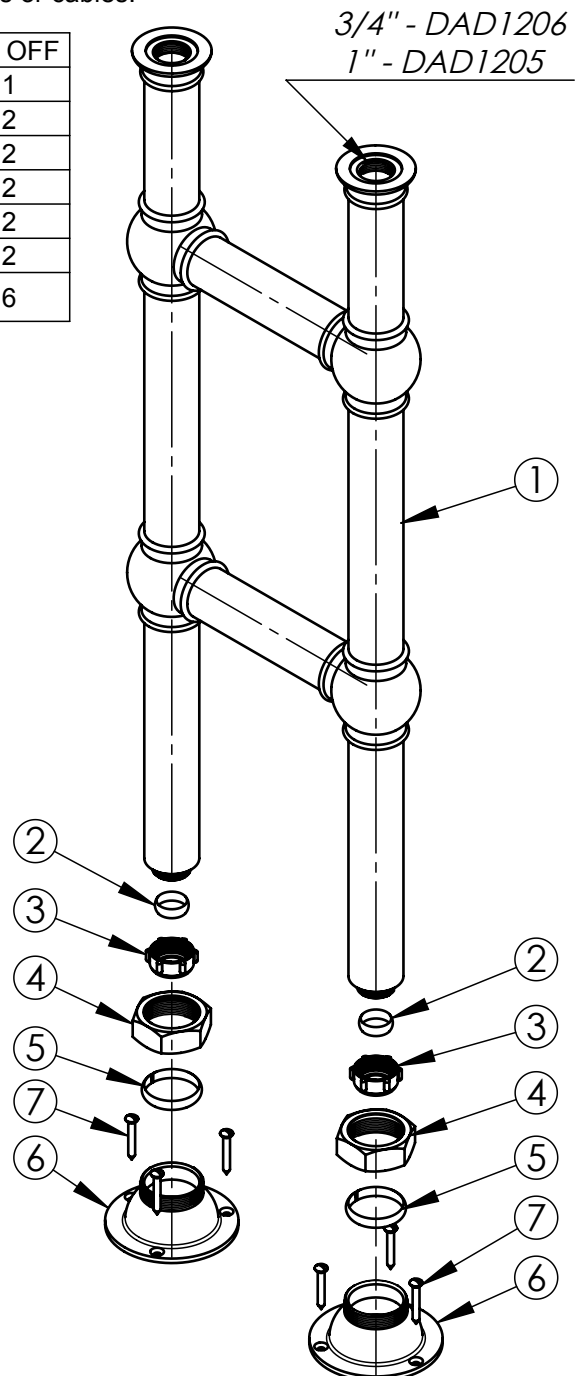
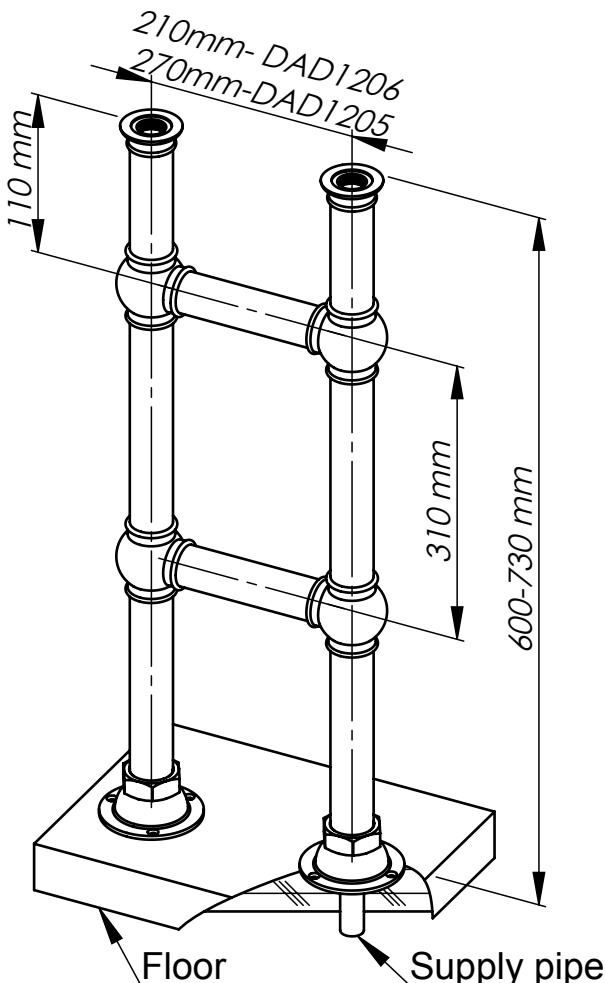
Flush the existing system with water to ensure that there is no debris in the existing pipework before commencing installation.

When drilling holes in walls or floors be aware of any existing pipes or cables.

ITEM NO	NAME	NO OFF
1	Stand	1
2	Olive $\phi 22$	2
3	Nut conex	2
4	Nut	2
5	Olive $\phi 40$	2
6	Base	2
7	10x1.1/2 Brass woodscrew	6

Basic measurements

The measurements given below are approximate and may vary.



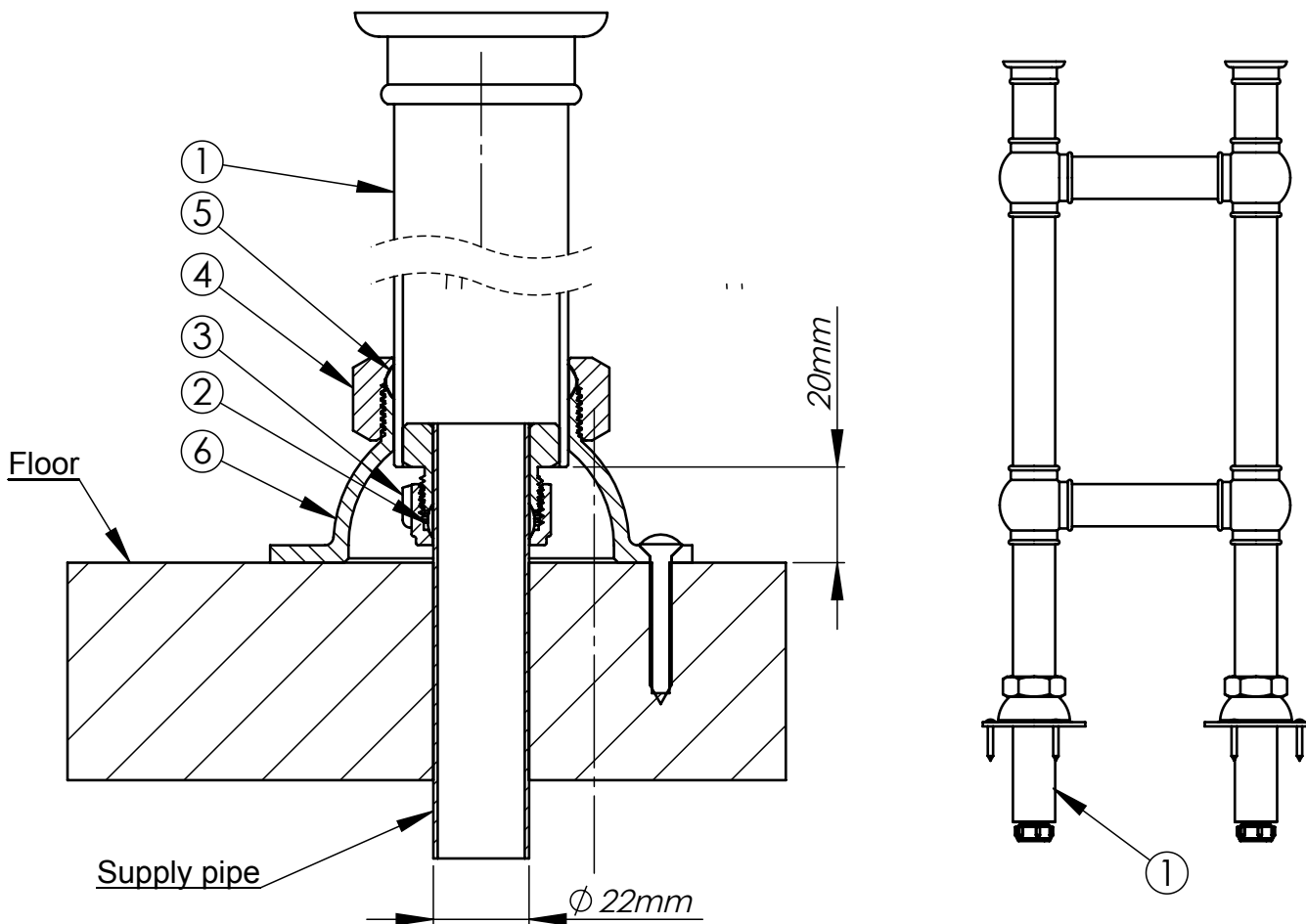
1. Determine the position of the taps, H stand and feed pipe runs in relation to the bath as this will have a bearing upon the function and appearance of the installation. Make sure that the orientation of the hot and cold feeds are matched to the hot and cold taps. DAD1205 requires a 22mm feed at 270mm centers and DAD1206 requires a 22mm feed at 210mm centers.
2. Loosely assemble base (6) with olive (5) and nut (4) and slide up the leg on the stand (1) then using only finger pressure tighten nut (4) so that the assembly is positioned as high as possible on the stand leg. Make up the same for the other side.
3. Place nuts (3) and olives (2) over the 22mm supply pipes and position the stand (1) onto the supply pipes. Tighten nuts (3) ensuring that olives (2) are correctly positioned and that the stand is square and level.
4. Loosen nut (4) on each leg of the stand and lower each base (6) to the floor. The bases can now be fixed to the floor with screws (7) taking care not to damage any plated or polished surface. Do not drill any pilot holes or holes for wrawl plugs through the bases but rather mark the holes through the bases with a pencil then after removing the bases drill the holes.
5. Tighten nut (4) ensuring that the stand is square, level and secure and that it does not cause the supply pipes to be distorted in any way.
6. Flush the water system to ensure that no swarf can enter the taps.
7. Once that the taps have been fitted check the installation for leaks and remedy as necessary.

Notes: Drummond's products are handmade therefore dimensions may vary slightly.
 Please try to recycle all packaging where possible and leave the item well protected for the customer - thank you.

The manufacturer's warranty does not cover any products which have been damaged as a result of misuse, faulty installation or maintenance.

Cleaning

Brass - use a mild non-abrasive cleaner such as brasso.
 Chrome and nickel plated products - use a mild non-abrasive cleaner such as silvo.



All our goods are handmade and may vary slightly from drawings. If you are unsure of how to assemble the goods, please call us and we will try help over the phone. We would also ask that you try and recycle all packing where possible and leave the item well protected for the customer. Thank you.