



Important

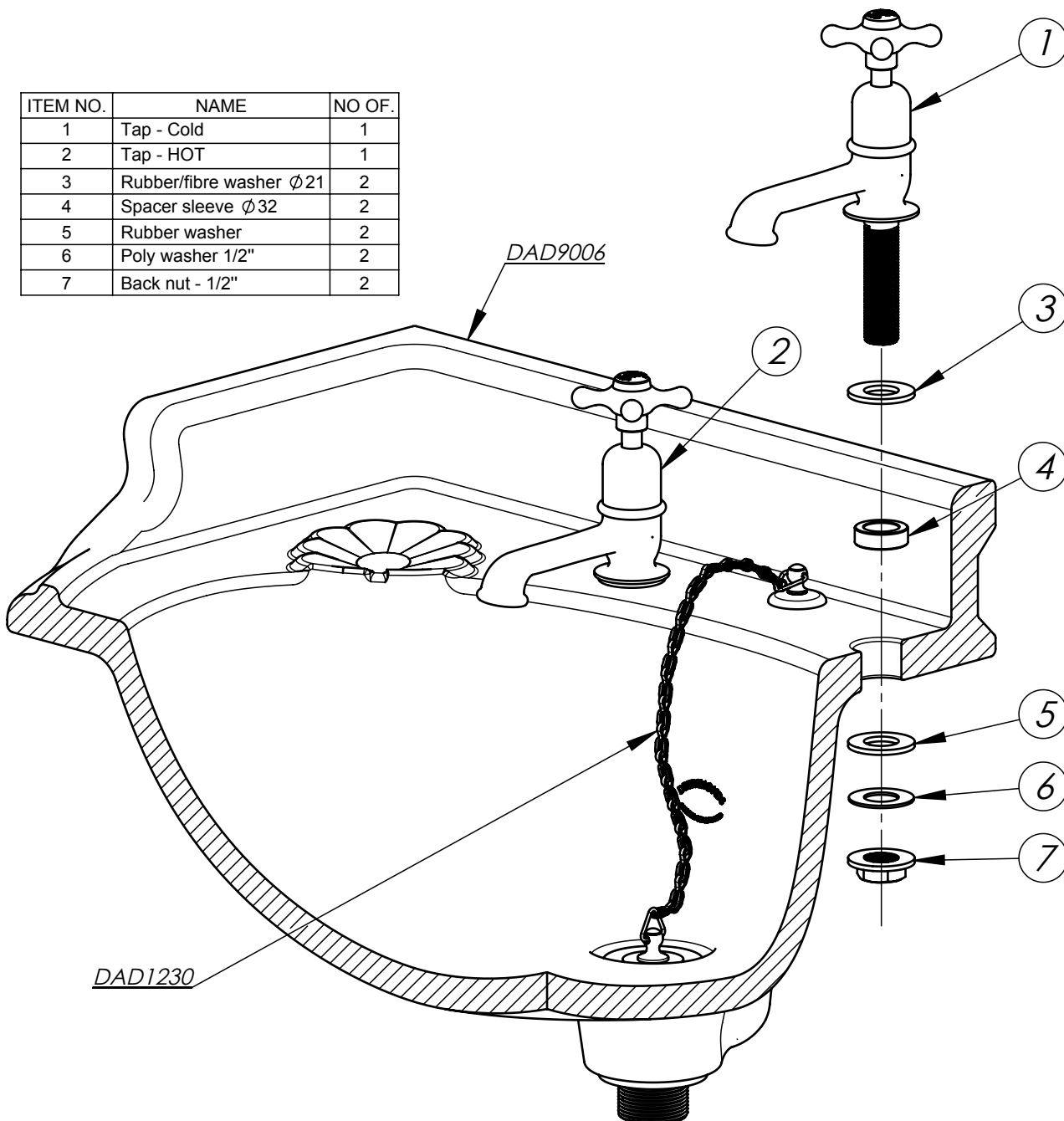
- Please inspect this product immediately on delivery to ensure that it has not been damaged in transit and is complete. Any claim for damage or shortage will not be entertained unless received within 3 days.
- To ensure this product is installed properly, you must read and follow these guidelines.
- Please read the whole of these instructions before starting installation.
- Be sure your installation conforms to local regulations.
- We recommend that this product is installed by a qualified professional contractor.
- Please refer to the specification and assembly drawings attached.
- Before installation, please inspect this product to ensure that it is the correct model and you have all the parts required for proper installation.
- Take all the necessary precautions to ensure that all parts are properly protected during installation. Polished and plated surfaces are particularly prone to damage from dirty and incorrect tools; spanners should be suitably lined so as not to damage plated or polished nuts.

Flush the existing system with water to ensure that there is no debris in the existing pipework before commencing installation.

When drilling holes in walls or floors be aware of any existing pipes or cables.

Where the water pressure is more than 3 bar we recommend a pressure reducing valve is fitted.

ITEM NO.	NAME	NO OF.
1	Tap - Cold	1
2	Tap - HOT	1
3	Rubber/fibre washer $\phi 21$	2
4	Spacer sleeve $\phi 32$	2
5	Rubber washer	2
6	Poly washer 1/2"	2
7	Back nut - 1/2"	2





Installation

1. Check that you have all the parts required to complete the installation.
2. Install the taps (1 and 2) - the hot tap is usually on the left - with washer (3) through the top of the basin using a suitable sealant where necessary. From under the basin slide upwards the spacer sleeve (4) - which fits between the tap and the hole in the basin, then fit rubber washer (5) poly washer (6) and secure with back nut (7), do not overtighten the nut as this could damage the basin, ensure that the taps are sitting true and secure.
3. Connect the water supply after making sure that there is no debris in the pipework which could damage the taps. Before turning on the supply open the taps fully so as to let any undiscovered debris in the pipework to escape.
4. Remove any excess sealant and check all joints are water tight.

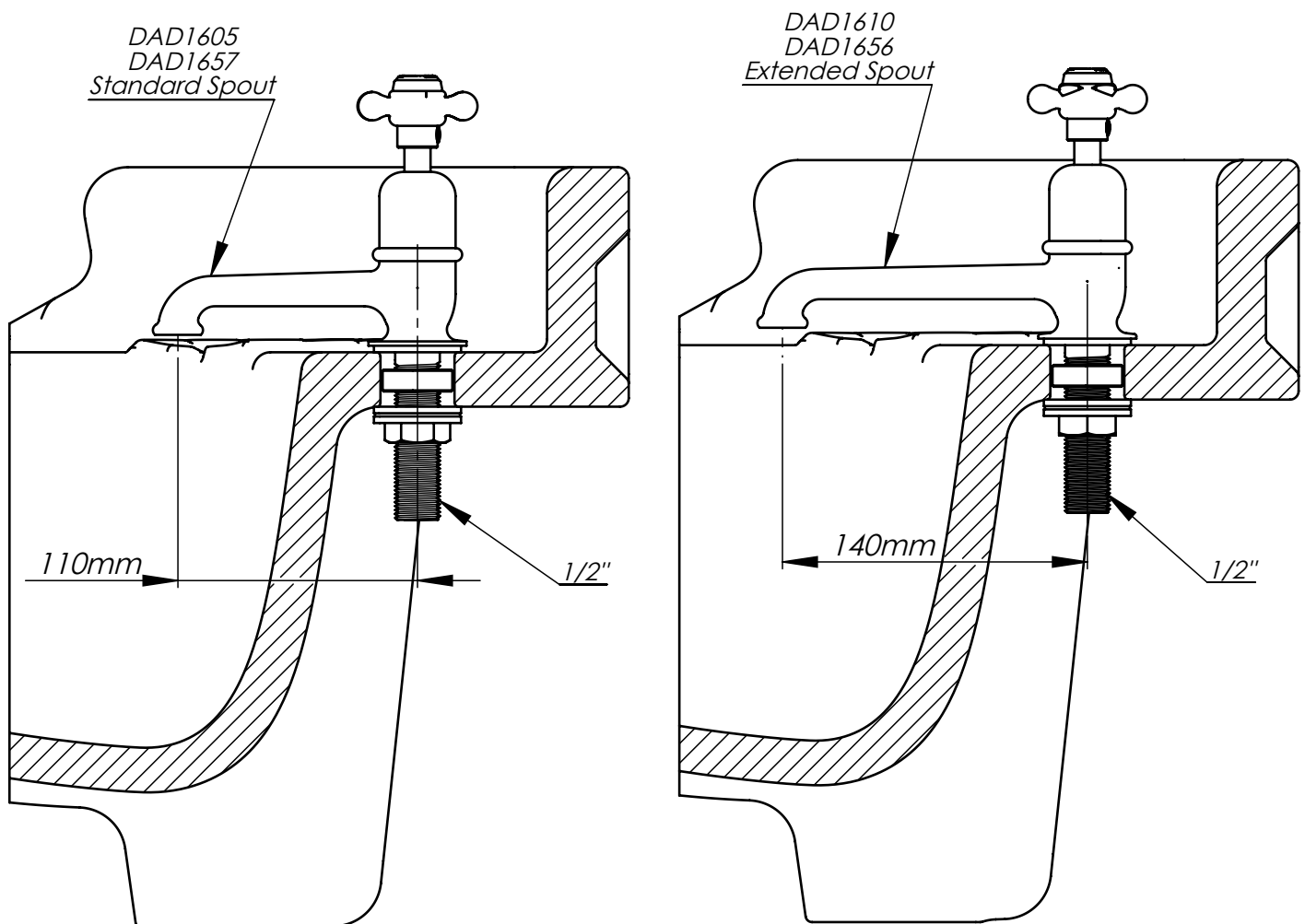
Notes: Drummond's products are handmade therefore dimensions may vary slightly.
Please try to recycle all packaging where possible and leave the item well protected for the customer - thank you.
The manufacturer's warranty does not cover any products which have been damaged as a result of misuse, faulty installation or maintenance.

Cleaning

Brass - use a mild non-abrasive cleaner such as brasso.

Chrome and nickel plated products - use a mild non-abrasive cleaner such as silvo.

Chinaware - use a proprietary non abrasive bathroom cleaner.



All our goods are handmade and may vary slightly from drawings. If you are unsure of how to assemble the goods, please call us and we will try help over the phone. We would also ask that you try and recycle all packing where possible and leave the item well protected for the customer. Thank you.