



Important

- Please inspect this product immediately on delivery to ensure that it has not been damaged in transit and is complete. Any claim for damage or shortage will not be entertained unless received within 3 days.
- To ensure this product is installed properly, you must read and follow these guidelines.
- Please read the whole of these instructions before starting installation.
- Be sure your installation conforms to local regulations.
- We recommend that this product is installed by a qualified professional contractor.
- Please refer to the specification and assembly drawings attached.
- Before installation, please inspect this product to ensure that it is the correct model and you have all the parts required for proper installation.
- Take all the necessary precautions to ensure that all parts are properly protected during installation. Polished and plated surfaces are particularly prone to damage from dirty and incorrect tools; spanners should be suitably lined so as not to damage plated or polished nuts.

Pre installation notes

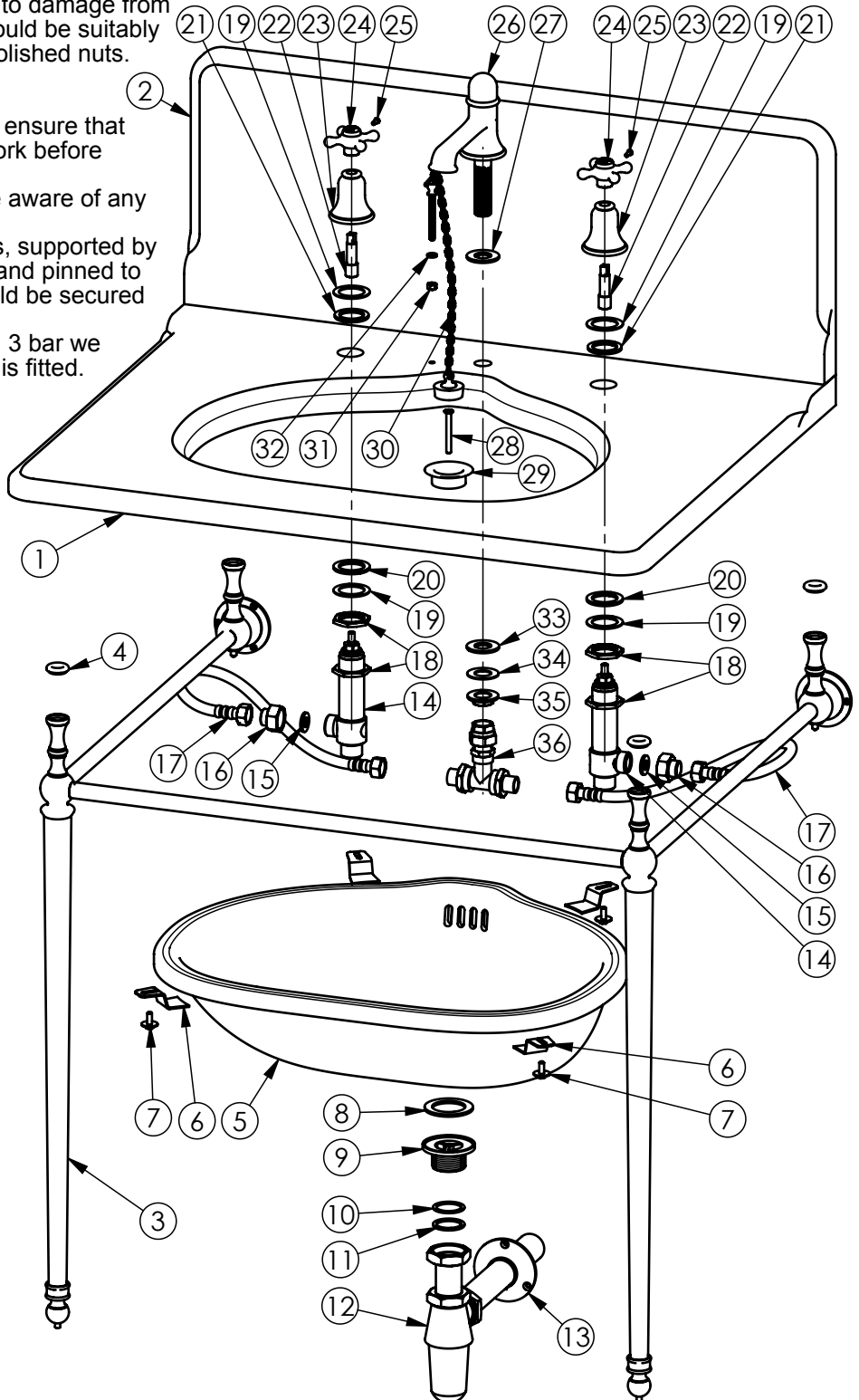
Flush the existing system with water to ensure that there is no debris in the existing pipework before commencing installation.

When drilling holes in walls or floors be aware of any existing pipes or cables.

The marble sits on four rubber washers, supported by the stand which is screwed to the wall and pinned to the floor. The marble splash back should be secured to the wall with a suitable adhesive.

Where the water pressure is more than 3 bar we recommend a pressure reducing valve is fitted. Maximum water temperature 80C, advisable 60C/65C.

ITEM NO.	NAME	NO OF.
1	Marble Top	1
2	Marble Splash Back	1
3	Stand	1
4	Washer	4
5	Morie Vanity Basin	1
6	Bracket	4
7	Bolt	4
8	Rubber gasket	1
9	Threaded bush 1 1/4"	1
10	Fibre washer	1
11	Rubber washer	1
12	1 1/4" Bottle Trap with 3" Deep Seal	1
13	Wall plate	1
14	Tap body	2
15	Washer 3/4"	2
16	Reduction 3/4" - 1/2"	2
17	Flexible feeder hose TAQ-SUPER HG-1212-500	2
18	Back nut M32x1,5	4
19	Poly washer Ø32	4
20	Rubber washer Ø32mm	2
21	Fibre washer Ø32mm	2
22	Tap shaft	2
23	Tap shield	2
24	Tap head	2
25	Grub screw M4 ISO2010	2
26	Spout	1
27	Fibre washer Ø21mm	1
28	Bolt M6x55	1
29	Waste	1
30	Plug and chain	1
31	Nut M6	1
32	Poly washer Ø6	1
33	Rubber washer Ø21mm	1
34	Poly washer 1/2"	1
35	Back nut 1/2"	1
36	T-piece 1/2"	1



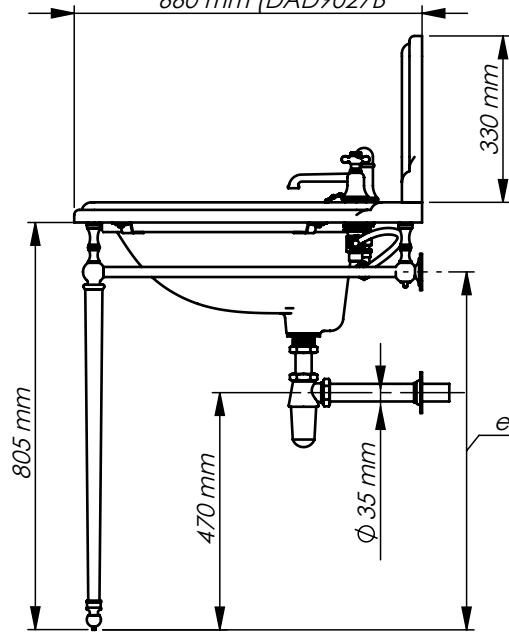


DRUMMONDS

CLASSIC HANDMADE QUALITY

PRODUCT INSTALLATION GUIDE

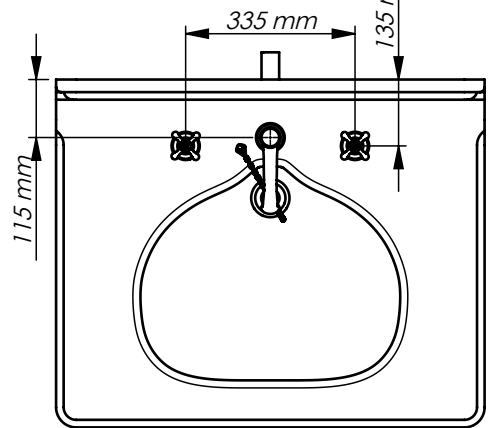
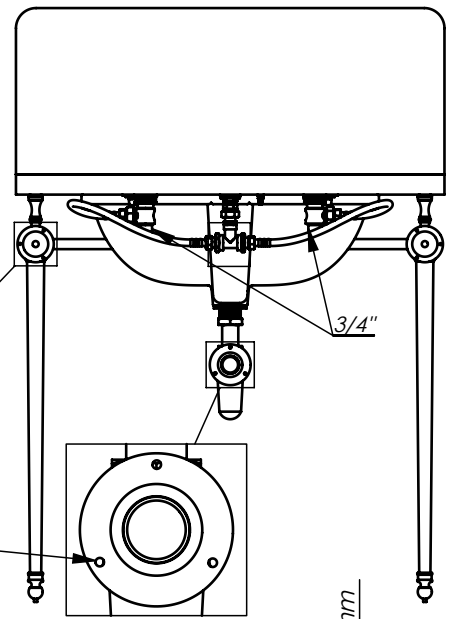
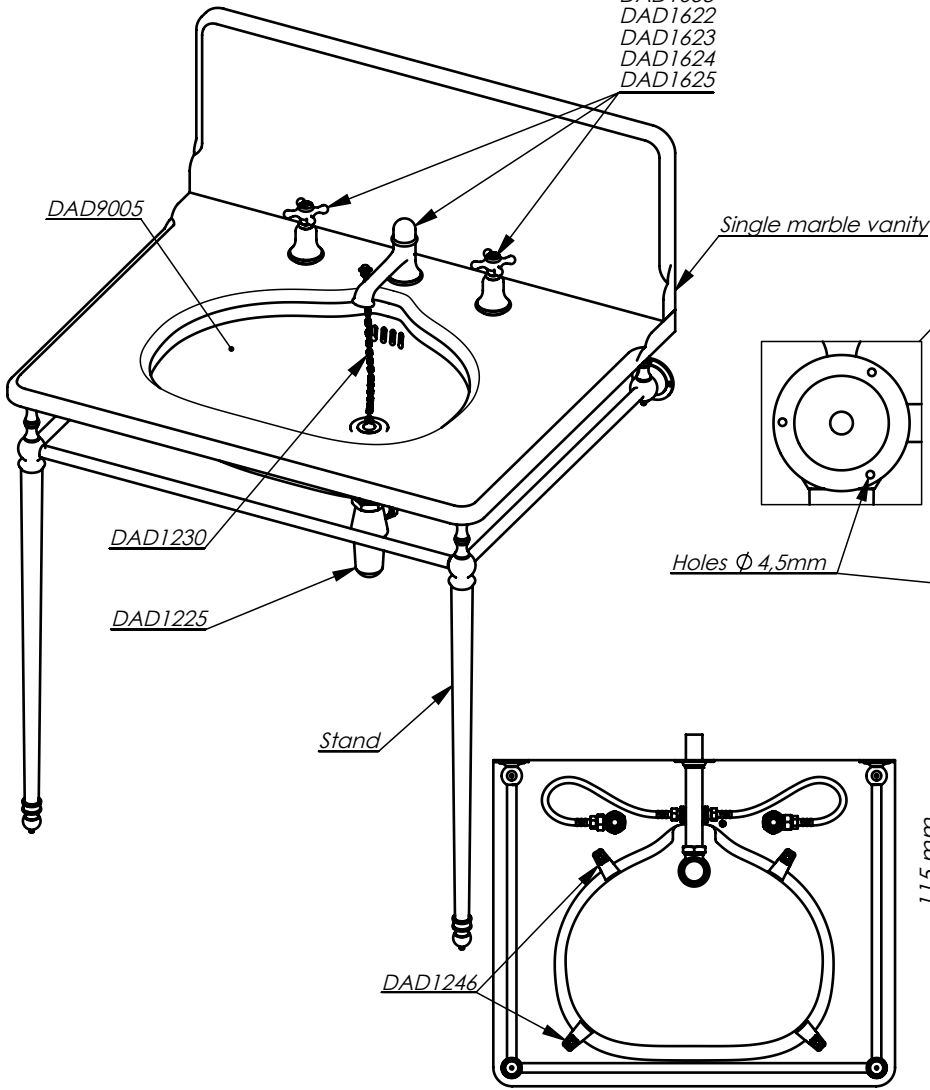
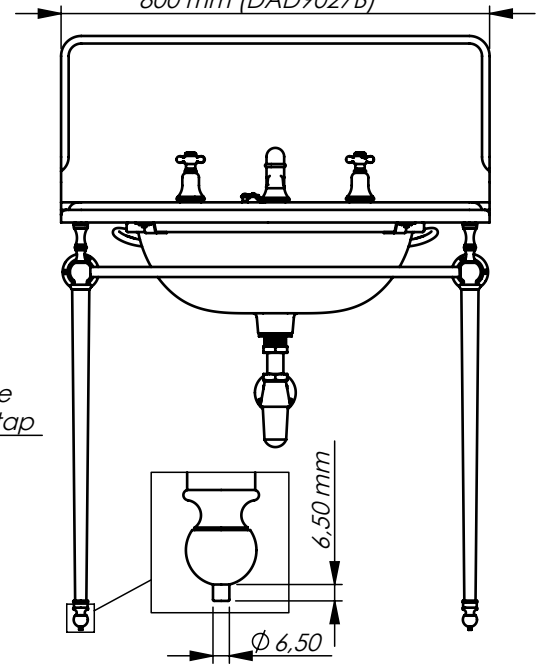
690 mm (DAD9028B / DAD9035B / DAD9038B)
660 mm (DAD9027B)



710 mm - Dimension to position the tap feeds after a 90° degree elbow is used on the base of the tap

- DAD1620
- DAD1621
- DAD1658
- DAD1622
- DAD1623
- DAD1624
- DAD1625

850 mm (DAD9028B / DAD9035B / DAD9038B)
800 mm (DAD9027B)



All our goods are handmade and may vary slightly from drawings. If you are unsure of how to assemble the goods, please call us and we will try help over the phone. We would also ask that you try and recycle all packing where possible and leave the item well protected for the customer. Thank you.



Attaching the basin to the Marble

1. Ensure that you have a clear working area and that the basin, marble and stand are placed upon a protective surface and ensure that you have all the parts that are required to complete the installation.
2. Place the marble (1) face down on a level protective surface and arrange the basin (5) face down on the back face of the marble in order to check the fit between the two. Offer up the brackets (6) and bolts (7) and if the assembly locates together correctly remove the brackets and basin from the marble.
3. Smear a layer of suitable adhesive on the mating surface of the basin such as silicone and locate on the back face of the marble and secure in place with brackets (6) and bolts (7) which can be glued in place with araldite, remove excess adhesive. Leave to sit until the adhesive has cured.

Installing the Stand, Marble and Basin

4. Determine the position of the stand ensuring that once installed it will be plumb and level.
5. Drill two 6.5mm holes in the floor to accept the pins at the base of the legs on stand (3) ensuring that there are no buried cables or pipes in the floor.
6. Position the stand plumb and level in the holes in the floor so that marks can be made on the wall through the fixing plates at the rear of the stand (3) to enable holes to be drilled to take the fixings, do not drill through the brackets.
7. Drill holes in the wall and plug as necessary.
8. Reinstall the stand by placing the pins in the floor and then screw the stand to the wall.
9. Ensure that the four washers (4) are fitted to the uprights on the stand are in place, the marble and basin may now be installed.
10. Glue the marble splash back (2) to the wall with a suitable adhesive, ensure that it is plumb and level.
11. Check the assembly is secure plumb and level.

Installing the Taps and spout

Where the water pressure is more than 3 bar we recommend a pressure reducing valve is fitted.

Maximum water temperature 80C, advisable 60C/65C

It may help before installation to screw the tap heads down so that the tap head distance from the marble can be accurately set during installation.

12. Carefully disassemble the cold tap by removing the grub screw (25) and slide off the tap head (24). Unscrew the tap shield (23) and remove the washers (19 and 21) then carefully place all these parts aside where they cannot be lost or damaged. Note that all the parts are hand finished to ensure a good fit and so are very difficult to replace if lost or damaged.
13. Install the tap body (14) with rear retaining nuts (18) and washers (20 and 19) under the basin using sealant where necessary and ensuring that the threaded part of the tap body is protruding from the basin top by the correct length required. Ensure that the inlet is facing the correct way as per the drawing.
14. Install washers (21 and 19) then screw down the tap shield (23) using sealant where necessary, tighten this assembly ensuring that the tap is correctly positioned and secure but do not over tighten as this could crack the marble.
15. Refit the tap head and grub screw.
16. Repeat steps 12-15 with the hot tap (usually positioned on the left).
17. Install spout (26) and washer (27) through the basin using sealant where necessary. From underneath the basin install washers (33 and 34) and backnut (35) onto the spout thread again ensuring that the washers are properly seated and using sealant where necessary. Attach T piece (36) to the spout (26) ensuring correct orientation - see drawing. Tighten backnut (35) ensuring that the spout is correctly positioned and secure but do not over tighten as this could crack the marble.
18. Install the flexible feed hoses (17), reduction nuts (16) and fibre washers (15) ensuring that the washers are correctly seated in place prior to tightening the nuts, whilst tightening ensure that no excessive strain is placed on the marble causing damage.
19. Connect the supply.
20. Ensure that all nuts are tight, taps and spout are secure and correctly positioned and are at the same height.
21. Remove excess sealant from the fittings.

Installing the Waste and Bottle trap

22. Fit waste (29) into the basin using a suitable sealant. From under the basin install washer (8) and threaded bush (9) ensuring that all the items are correctly positioned. Pass bolt (28) through waste (29) and screw into threaded bush (9) use only sufficient pressure to create a watertight seal. Remove any excess sealant from the fixture.
23. Fit bottle trap (12) into a suitably sized hole through the wall to connect to the waste, mark holes through the wall plate (13) and once the trap has been removed drill the fixing holes. Replace the trap, screw the wall plate to the wall and ensuring that the washers (10 and 11) are in the correct order and seated correctly tighten the nut on the trap to the waste in the basin ensuring that no undue strain is placed upon the basin.
24. Connect the waste.

All our goods are handmade and may vary slightly from drawings. If you are unsure of how to assemble the goods, please call us and we will try help over the phone. We would also ask that you try and recycle all packing where possible and leave the item well protected for the customer. Thank you.

Installing the Plug and Chain

25. Install the threaded portion of the plug, chain and anchor (30) through the opening in the marble then from under the marble secure in place with poly washer (32) and nut (31) - do not use excessive pressure tightening the nut as this could cause damage to the marble.
26. Open the taps and flush the system ensuring that no debris remains which could damage the valves.
27. Ensure that the assembly is secure and remove excess sealant from the fittings and check that all joints are watertight.

Notes: Drummond's products are handmade therefore dimensions may vary slightly.
Please try to recycle all packaging where possible and leave the item well protected for the customer - thank you.
The manufacturer's warranty does not cover any products which have been damaged as a result of misuse, faulty installation or maintenance.

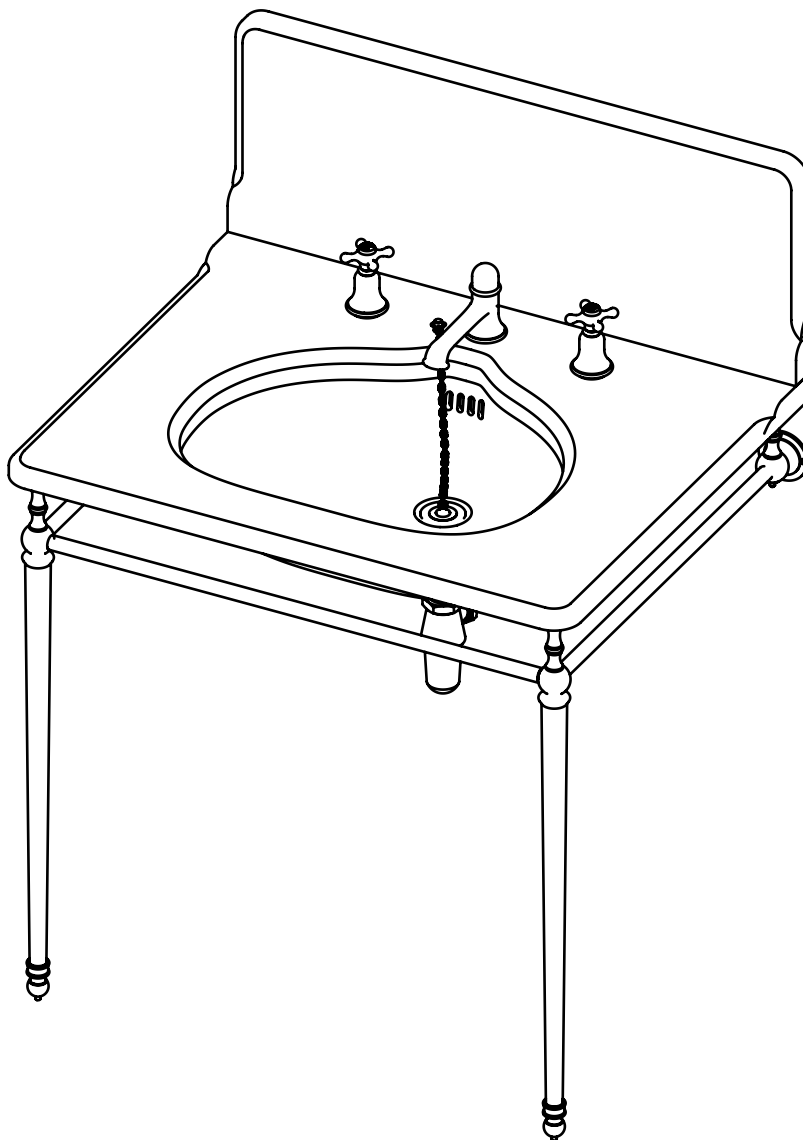
Cleaning

Brass - use a mild non-abrasive cleaner such as brasso.

Chrome and nickel plated products - use a mild non-abrasive cleaner such as silvo.

Chinaware - use a proprietary non abrasive bathroom cleaner.

Marble - Our marble comes polished and is best cleaned with a damp cloth. If acidic or other products (including certain shampoos) are left to mark the marble it will stain easily so care will need to be taken.



All our goods are handmade and may vary slightly from drawings. If you are unsure of how to assemble the goods, please call us and we will try help over the phone. We would also ask that you try and recycle all packing where possible and leave the item well protected for the customer. Thank you.