



Important

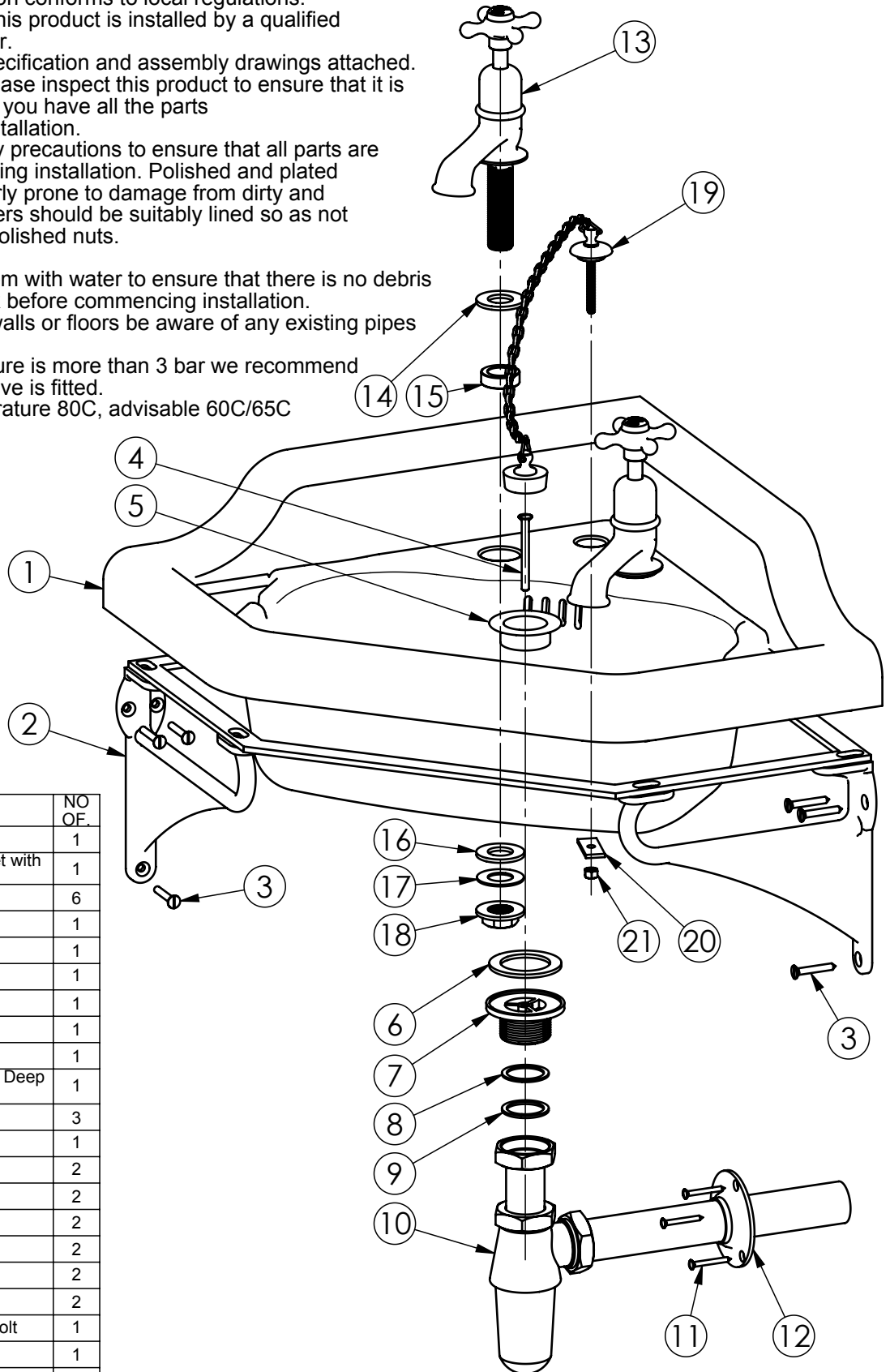
- Please inspect this product immediately on delivery to ensure that it has not been damaged in transit and is complete. Any claim for damage or shortage will not be entertained unless received within 3 days.
- To ensure this product is installed properly, you must read and follow these guidelines.
- Please read the whole of these instructions before starting installation.
- Be sure your installation conforms to local regulations.
- We recommend that this product is installed by a qualified professional contractor.
- Please refer to the specification and assembly drawings attached.
- Before installation, please inspect this product to ensure that it is the correct model and you have all the parts required for proper installation.
- Take all the necessary precautions to ensure that all parts are properly protected during installation. Polished and plated surfaces are particularly prone to damage from dirty and incorrect tools; spanners should be suitably lined so as not to damage plated or polished nuts.

Flush the existing system with water to ensure that there is no debris in the existing pipework before commencing installation.

When drilling holes in walls or floors be aware of any existing pipes or cables.

Where the water pressure is more than 3 bar we recommend a pressure reducing valve is fitted.

Maximum water temperature 80C, advisable 60C/65C



ITEM NO.	NAME	NO OF.
1	Cam corner basin	1
2	Cam corner basin bracket with towel bar	1
3	12x1 1/2" screws	6
4	Bolt M6x55	1
5	Waste	1
6	Rubber gasket	1
7	Threaded bush 1 1/4"	1
8	Fibre washer	1
9	Rubber washer	1
10	1 1/4" Bottle Trap with 3" Deep Seal	1
11	8x1 1/2 screws	3
12	Wall plate	1
13	Basin taps	2
14	Fibre washer ϕ 21mm	2
15	Spacer sleeve ϕ 32	2
16	Rubber washer ϕ 21mm	2
17	Poly washer 1/2"	2
18	Back nut 1/2"	2
19	Plug, chain and anchor bolt	1
20	Washer	1
21	Nut M6	1

Installing the Brackets and Basin

1. Ensure that you have a clear working area and that the basin (1) and brackets (2) are placed upon a protective surface, ensure that you have all the parts that are required to complete the installation.
2. Determine the position of the basin and brackets ensuring that once installed it will be plumb and true.
3. With an extra person as helper position the basin on the brackets against the wall, align then mark through the brackets onto the wall for the fixing holes. Drill and plug as necessary but do not drill through the brackets, be aware of any existing pipes or cables.
4. Fix the brackets to the wall with correct screws (3) and place the basin upon the brackets ensuring that it is located properly and securely also ensure that it is level. Please let the customer know that the basin is not designed to have any load placed upon it for ie. to be stood upon whilst decorating.

Installing the Taps

Where the water pressure is more than 3 bar we recommend a pressure reducing valve is fitted.

5. Install taps (13) - the hot tap is usually on the left - with rubber washer (15) through the basin top using a suitable sealant if necessary. From under the basin slide upwards the spacer sleeve (14) which fits between the tap and the hole in the basin, then fit rubber washer (15), poly washer (16) and secure with back nut (18). Do not over tighten the nut as this could damage the basin, ensure that the taps are sitting true and secured.
6. Connect the water supply.

Installing the Waste, Bottle Trap, Plug and Chain

7. Fit waste (5) into the basin using a suitable sealant. From under the basin install washer (6) and threaded bush (7) ensuring that all the items are correctly positioned. Pass bolt (4) through waste (5) and screw into threaded bush (7) use only sufficient pressure to create a watertight seal. Remove any excess sealant from the fixture.
8. Fit bottle trap (10) into a suitably sized hole through the wall to connect to the waste, mark holes through the wall plate (12) and once the trap has been removed drill the fixing holes. Replace the trap, screw the wall plate to the wall and ensuring that the washers (8 and 9) are in the correct order and seated correctly tighten the nut on the trap to the waste in the basin ensuring that no undue strain is placed upon the basin.
9. Connect the waste.
10. Install the threaded portion of the plug, chain and anchor bolt (19) through the opening in the basin (using sealant if necessary) then from under the basin secure in place with washer (20) and nut (21) - do not use excessive pressure tightening the nut as this could cause damage to the basin.
11. Open the taps and flush the system ensuring that no debris remains which could damage the valves.
12. Ensure that the basin is secure and remove excess sealant from the fittings and check that all joints are watertight.

Notes: Drummond's products are handmade therefore dimensions may vary slightly.

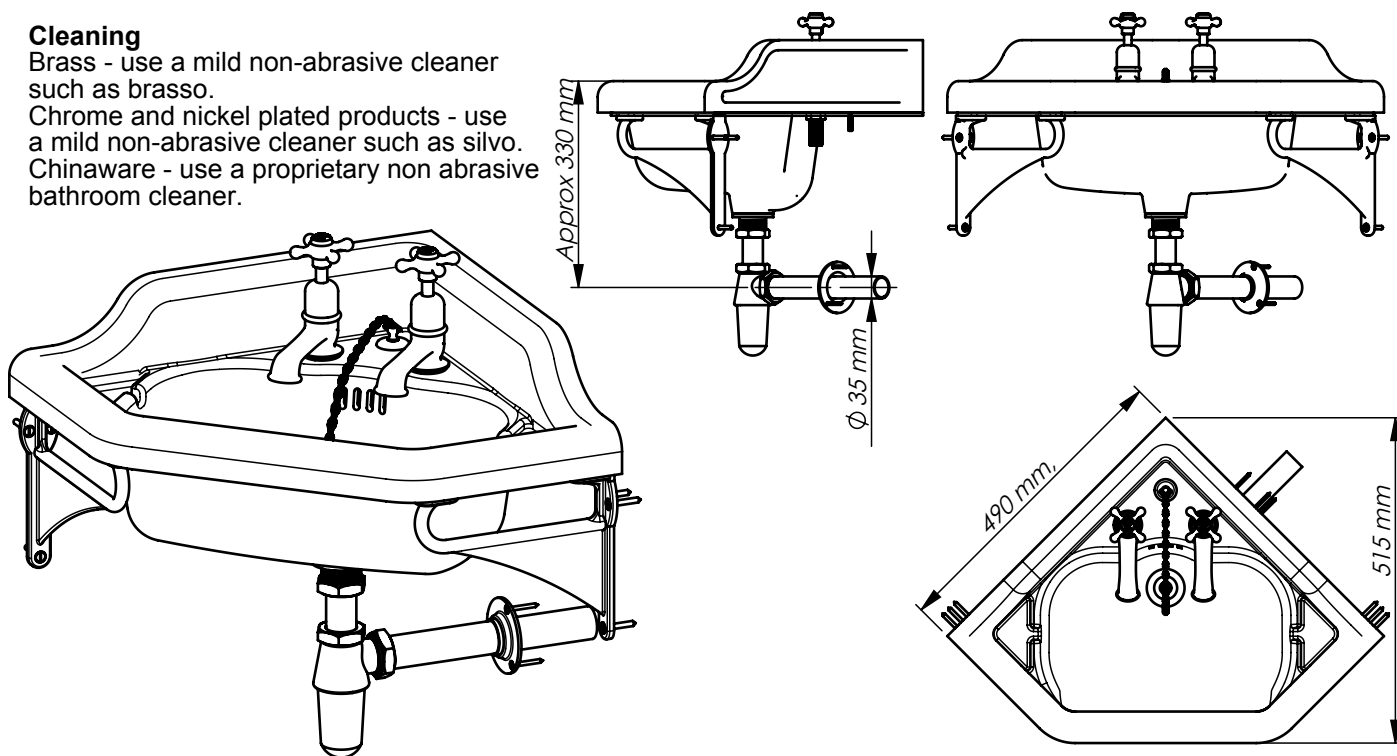
Please try to recycle all packaging where possible and leave the item well protected for the customer - thank you. The manufacturer's warranty does not cover any products which have been damaged as a result of misuse, faulty installation or maintenance.

Cleaning

Brass - use a mild non-abrasive cleaner such as brasso.

Chrome and nickel plated products - use a mild non-abrasive cleaner such as silvo.

Chinaware - use a proprietary non abrasive bathroom cleaner.



All our goods are handmade and may vary slightly from drawings. If you are unsure of how to assemble the goods, please call us and we will try help over the phone. We would also ask that you try and recycle all packing where possible and leave the item well protected for the customer. Thank you.