



Important

- Please inspect this product immediately on delivery to ensure that it has not been damaged in transit and is complete. Any claim for damage or shortage will not be entertained unless received within 3 days.
- To ensure this product is installed properly, you must read and follow these guidelines.
- Please read the whole of these instructions before starting installation.
- Be sure your installation conforms to local regulations.
- We recommend that this product is installed by a qualified professional contractor.
- Please refer to the specification and assembly drawings attached.
- Before installation, please inspect this product to ensure that it is the correct model and you have all the parts required for proper installation.
- Take all the necessary precautions to ensure that all parts are properly protected during installation. Polished and plated surfaces are particularly prone to damage from dirty and incorrect tools; spanners should be suitably lined so as not to damage plated or polished nuts.

It may help before installation to screw the tap heads down so that the tap head distance from the wall can be accurately set during installation.
A "dry run assembly" may help before final installation in order to become familiar with the parts and their positioning.

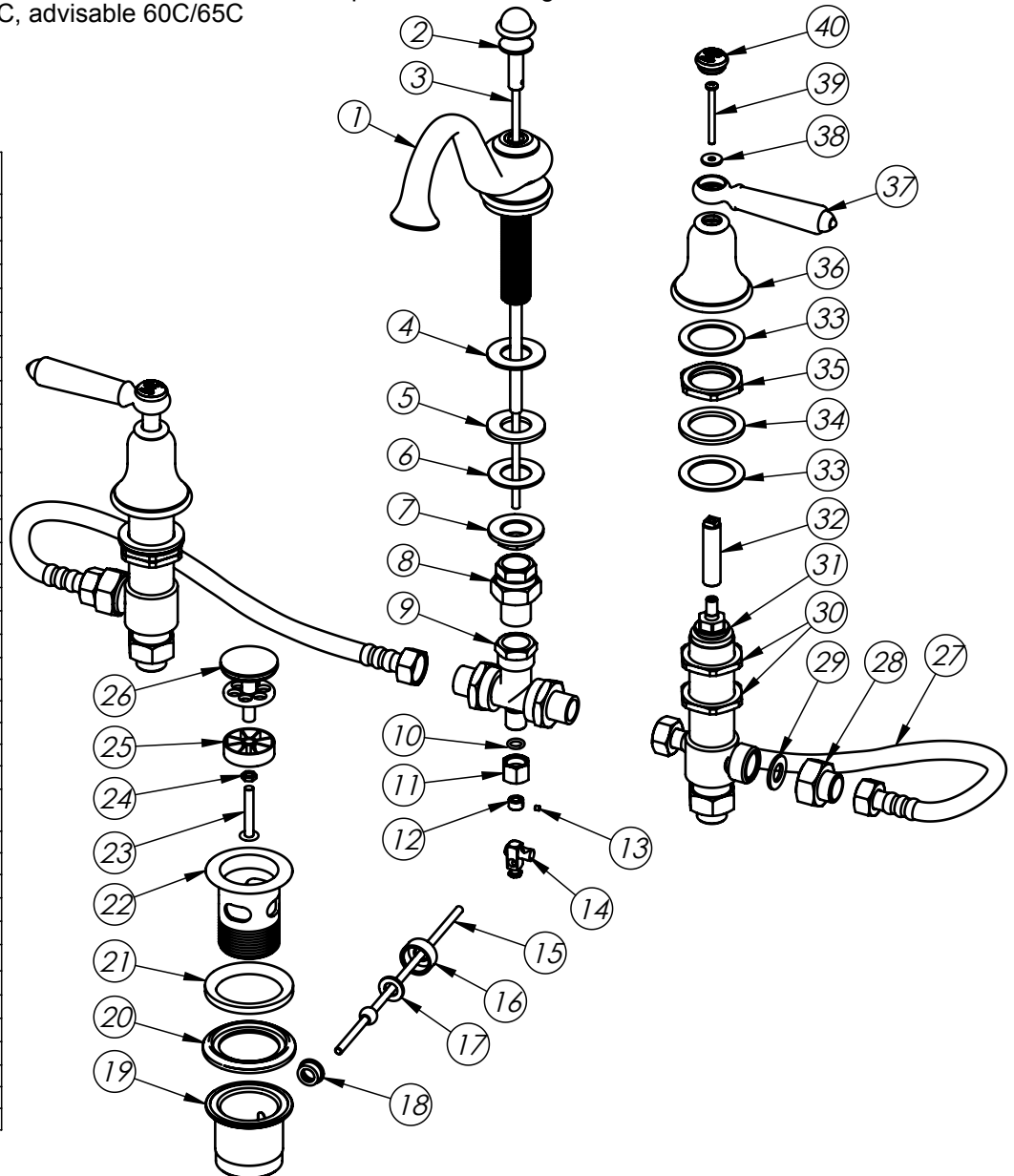
Flush the existing system with water to ensure that there is no debris in the existing pipework before commencing installation.

When drilling holes in walls or floors be aware of any existing pipes or cables.

Where the water pressure is more than 3 bar we recommend a pressure reducing valve is fitted.

Maximum water temperature 80C, advisable 60C/65C

ITEM NO.	NAME	NO OF.
1	Spout	1
2	Pop-up knob and shroud	1
3	Vertical connecting rod	1
4	Fibre washer \varnothing 21mm	1
5	Rubber washer \varnothing 21mm	1
6	Poly washer 1/2"	1
7	Back nut -1/2"	1
8	Connection join 1/2"	1
9	T - piece 1/2"	1
10	O-ring	1
11	Nut M14x1	1
12	Fixing sleeve	1
13	Tightening screw M3	1
14	Pop-up link	1
15	Horizontal connecting rod	1
16	Nut	1
17	Poly washer	1
18	Poly sleeve	1
19	Waste body	1
20	Large rubber seal	1
21	Rubber washer	1
22	Waste	1
23	Bolt M6x40	1
24	Nut M6	1
25	strainer waste	1
26	Plug	1
27	Flexible feeder hose 1/2" - 3/4"	2
28	Reduction nut 3/4" - 1/2"	2
29	Fibre washer	2
30	Rear retaining nut	4
31	Tap body	2
32	Tap shaft	2
33	Poly washer \varnothing 32	4
34	Rubber washer \varnothing 32mm	2
35	Retaining nut	2
36	Tap shield	2
37	Tap handles - Lever	2
38	Washer	2
39	Bolt M5x45	2
40	Porcelain Hot/Cold seat	2





Fitting the taps

1. Carefully disassemble the cold tap by removing the porcelain seat (40), bolt and washer (39 & 38). Remove the lever (37) and then unscrew the tap shield (36) and remove the nut (35), washers (34 & 33) then carefully place all these parts aside where they cannot be lost or damaged. Note that all the parts are hand finished to ensure a good fit and so are very difficult to replace if lost or damaged.
2. Install the tap body (31) with rear retaining nuts (30) and washers (33 & 34) under the basin using sealant where necessary and ensuring that the threaded part of the tap body is protruding from the basin top by the correct length required. Ensure that the inlet is facing the correct way as per the drawing.
3. Install washers (33) and nut (35) then screw down the tap shield (36) using sealant where necessary, tighten this assembly ensuring that the tap is correctly positioned and secure but do not over tighten as this could crack the basin.
4. Refit the lever tap in the order you disassembled.
5. Repeat steps 1-4 with the hot tap (usually positioned on the left).
6. Install spout (1) and washers (4 & 5) through the basin using sealant where necessary. From underneath the basin install washer (6) and back nut (7) onto the spout thread again ensuring that the washers are properly seated and using sealant where necessary. Coupling (8) can now be threaded onto the spout thread using a wound sealing material. Attach T piece (9) to coupling (8) ensuring correct orientation - see drawing. Tighten backnut (7) ensuring that the spout is correctly positioned and secure but do not over tighten as this could crack the basin.
7. Install the flexible feed hoses (27), reduction nuts (28) and fibre washers (29) ensuring that the washers are correctly seated in place prior to tightening the nuts, whilst tightening ensure that no excessive strain is placed on the basin causing damage.

Fitting the waste

8. Fit waste (22) into the basin using a suitable sealant. From under the basin install washer (21), seal (20) and waste body (19) ensuring that all the items are correctly positioned. Use only sufficient pressure to create a watertight seal. Remove any excess sealant from the fixture.
9. Fit plug (26) and parts (25,24,23) and drop into waste. Please note you can adjust the unit later.
10. Drop pop up knob and shroud (2 & 3) through tap body (1) and fix nut (11), o-ring (10) through this onto T-piece below the basin.
11. Adjust the lift amount of the pop up by fixing sleeve (12) over rod and tightening with screw (13).
12. Then fix the connection link (14) onto the base of the pop-up (2).
13. Fit horizontal connecting rod (15) into waste using poly sleeve (18) and also connect it to Pop Up via the link (14)
14. Adjust all parts so that waste will lift with pop up to the correct height and drop to seal when released.

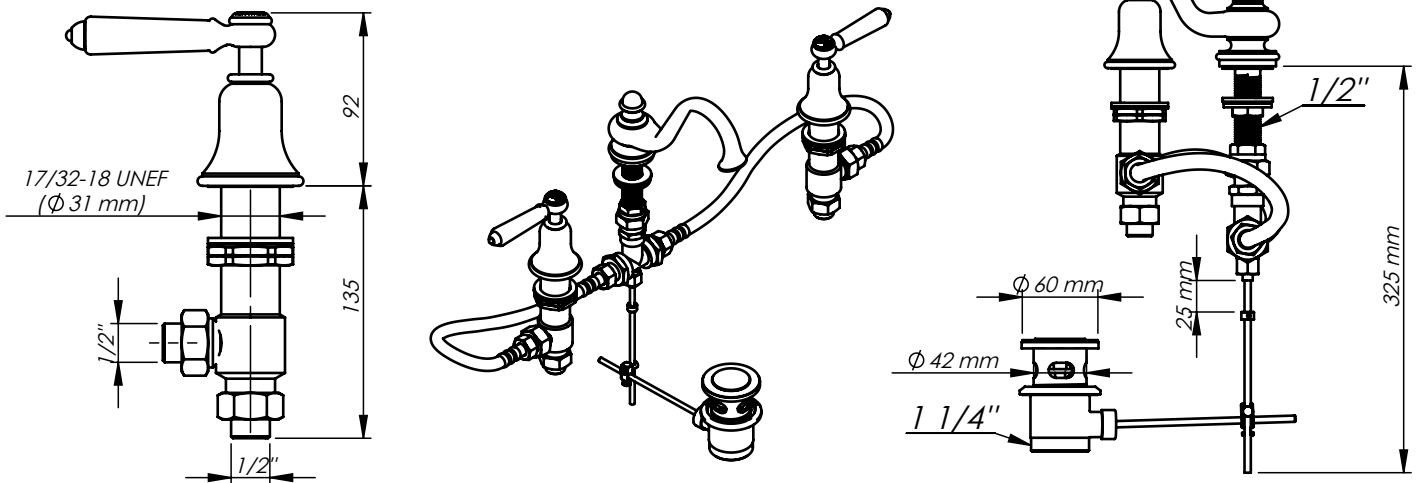
Water

15. Connect the supply.
16. Open the taps and flush the system ensuring that no debris remains which could damage the valves.
17. Ensure that all nuts are tight, taps and spout are secure and correctly positioned and are at the same height.
18. Remove excess sealant from the fittings and check that the system is watertight.

Notes: Drummond's products are handmade therefore dimensions may vary slightly. Please try to recycle all packaging where possible and leave the item well protected for the customer - thank you. The manufacturer's warranty does not cover any products which have been damaged as a result of misuse, faulty installation or maintenance.

Cleaning

Brass - use a mild non-abrasive cleaner such as brasso.
Chrome and nickel plated products - use a mild non-abrasive cleaner such as silvo.



All our goods are handmade and may vary slightly from drawings. If you are unsure of how to assemble the goods, please call us and we will try help over the phone. We would also ask that you try and recycle all packing where possible and leave the item well protected for the customer. Thank you.