



Important

- Please inspect this product immediately on delivery to ensure that it has not been damaged in transit and is complete. Any claim for damage or shortage will not be entertained unless received within 3 days.
- To ensure this product is installed properly, you must read and follow these guidelines.
- Please read the whole of these instructions before starting installation.
- Be sure your installation conforms to local regulations.
- We recommend that this product is installed by a qualified professional contractor.
- Please refer to the specification and assembly drawings attached.
- Before installation, please inspect this product to ensure that it is the correct model and you have all the parts required for proper installation.
- Take all the necessary precautions to ensure that all parts are properly protected during installation. Polished and plated surfaces are particularly prone to damage from dirty and incorrect tools; spanners should be suitably lined so as not to damage plated or polished nuts.

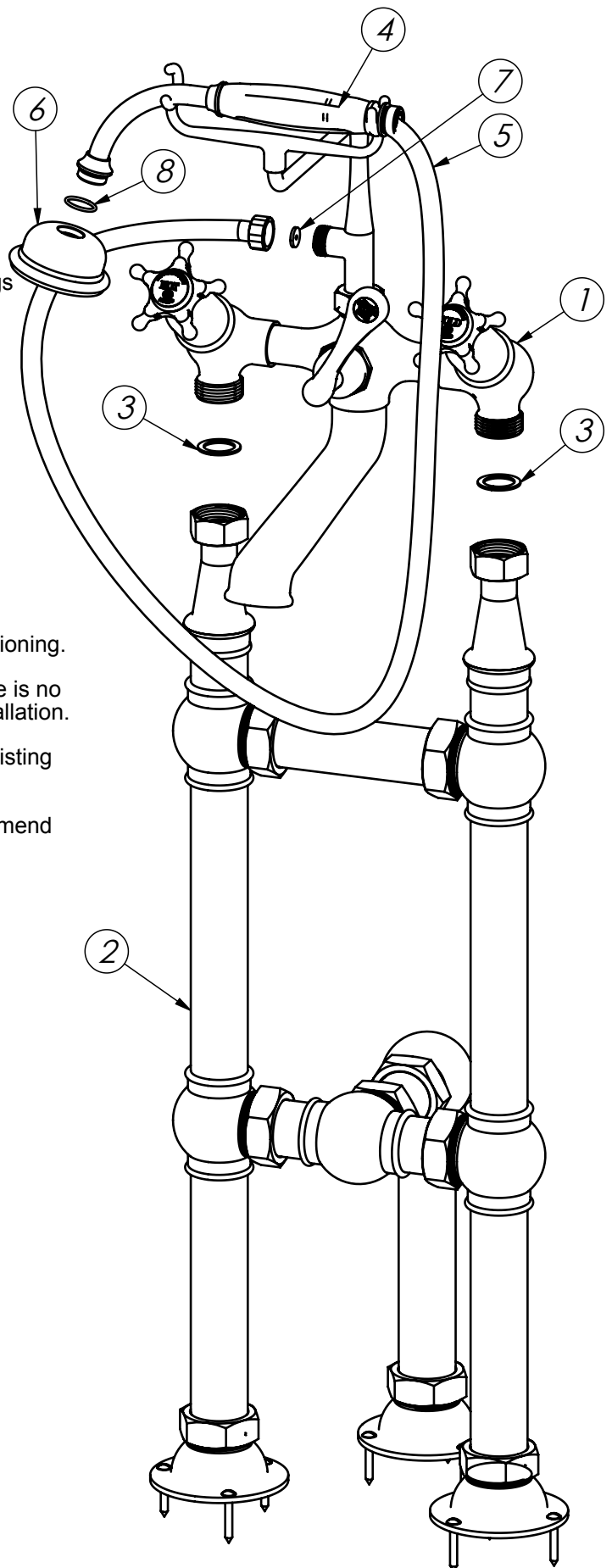
It may help before installation to screw the tap heads down so that the tap head distance from the wall can be accurately set during installation.
A "dry run assembly" may help before final installation in order to become familiar with the parts and their positioning.

Flush the existing system with water to ensure that there is no debris in the existing pipework before commencing installation.

When drilling holes in walls or floors be aware of any existing pipes or cables.

Where the water pressure is more than 3 bar we recommend a pressure reducing valve is fitted.

Maximum water temperature 80C, advisable 60C/65C



ITEM NO.	NAME	NO OF.
1	Bath mixer	1
2	Stand	1
3	Fibre washer	2
4	Handset	1
5	Shower Hose	1
6	Shower rose	1
7	Reduction washer	1
8	O-ring	1

Installation

1. Check that you have all the parts required for the installation.
2. Flush the water system to ensure that no swarf can enter the mixer taps.
3. Install the stand (instructions supplied separately) ensuring correct placement in relation to the bath taking note of the spout length on the mixer.
4. Smear or wind a suitable sealing material round the threads on the mixer (1). Fit the fibre washers (3) into the corresponding position at the top of the stand (2) and fit the complete bath mixer (1) to the stand, making sure that both parts engage correctly. Tighten using a clean flat properly fitting open spanner fitted with nylon or copper faced jaws to avoid damaging the plating.
5. Fit the shower hose (5) to the handset (4), fit the shower rose (6) to the handset (4) with O ring (8), attach shower hose (5) to the bath mixer (1) making sure that the pressure reduction washer (7) is inserted, do not tighten these fittings more than hand tight.
6. Clean any excess sealant from the fittings.
7. Test and check that all joints are watertight.

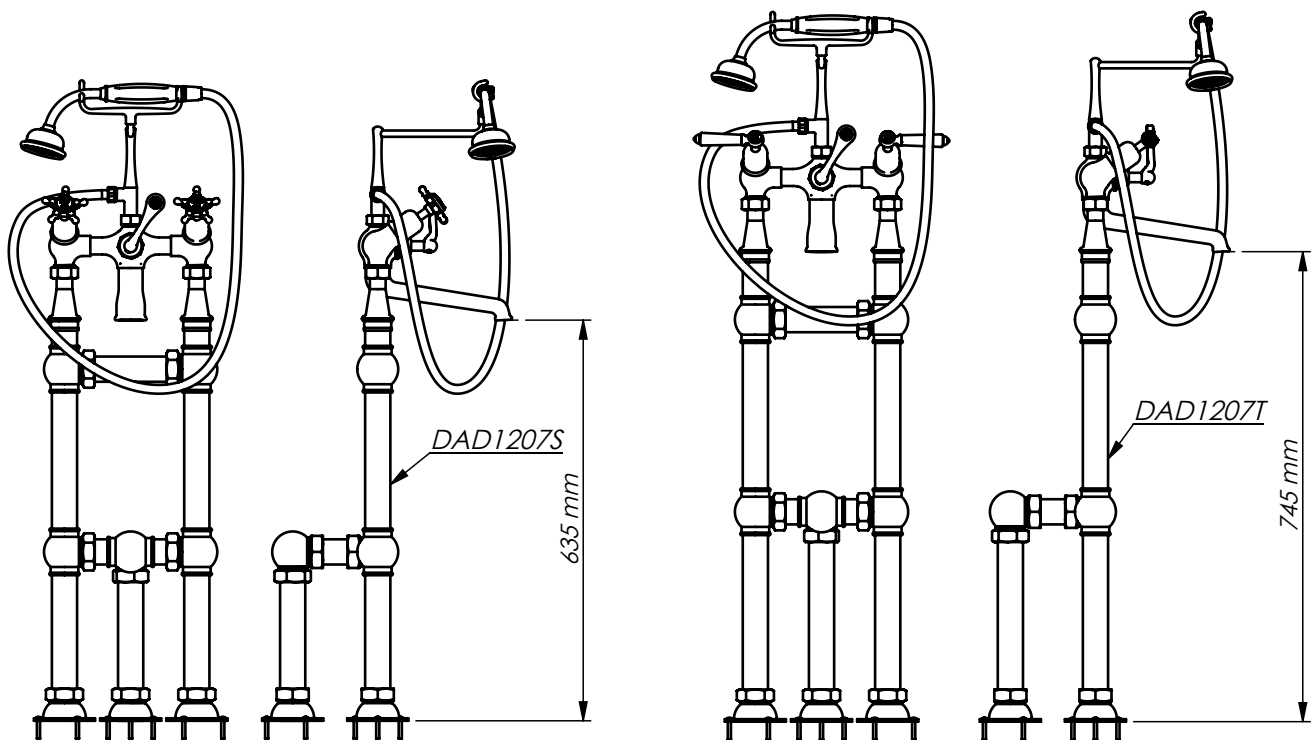
Notes: Drummond's products are handmade therefore dimensions may vary slightly.
 Please try to recycle all packaging where possible and leave the item well protected for the customer - thank you.

The manufacturer's warranty does not cover any products which have been damaged as a result of misuse, faulty installation or maintenance.

Cleaning

Brass - use a mild non-abrasive cleaner such as brasso.
 Chrome and nickel plated products - use a mild non-abrasive cleaner such as silvo.

DAD1651
DAD1740
DAD1830



All our goods are handmade and may vary slightly from drawings. If you are unsure of how to assemble the goods, please call us and we will try help over the phone. We would also ask that you try and recycle all packing where possible and leave the item well protected for the customer. Thank you.